

**FEATURES**

- Complete D/A Converters:  
Internal Reference  
Internal Output Amplifier
- Small 16-Pin DIP
- $\pm 1/2$ LSB Linearity and  
Monotonicity Guaranteed  
Over Temperature
- Adjustment-Free
- Full Scale Absolute  
Accuracy Error  $\pm 1$ LSB
- $\pm 1$ LSB Zero Error  
Over Temperature
- Full Mil Operation  
-55°C to +125°C

**DESCRIPTION**

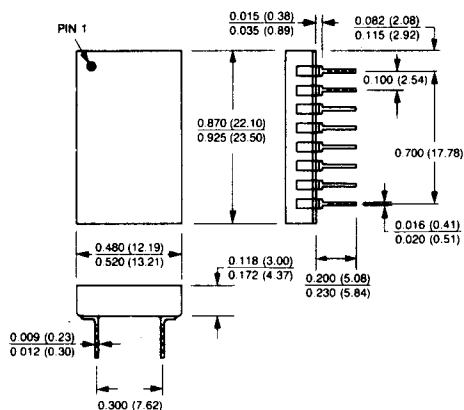
The MN3003 Series are 10-bit, voltage-output, digital-to-analog converters. Each unit is complete with internal reference and output amplifier and is packaged in a 16-pin, ceramic, hermetically sealed dual-in-line package.

Units are available for either 0°C to +70°C or -55°C to +125°C ("H" models) operation, and all devices are adjustment-free. Functional laser trimming of our own thin-film, nichrome resistor networks eliminates the need for external gain and offset adjustments and user calibration. The excellent stability and tracking of these resistors allows us to guarantee  $\pm 1/2$  LSB linearity and 10-bit monotonicity over the entire operating temperature range. Zero error is guaranteed to be less than  $\pm 1$  LSB over the entire operating temperature range.

Four output voltage ranges are available (MN3003, 0 to -10V; MN3004,  $\pm 5$ V; MN3005, 0 to +10V; MN3007,  $\pm 10$ V), and all devices operate from  $\pm 15$ V supplies consuming a maximum of 585mW. For military/aerospace or harsh-environment commercial/industrial applications, "H/B" models are Environmentally Stress Screened.

MN3003 Series D/A converters are widely used in such applications as medical electronics, industrial control systems and automatic test equipment. They are excellent choices for servo and control applications that require tight zero error. Their small size, low weight, inherent reliability and adjustment-free operation make them excellent choices for a wide variety of military and aerospace applications.

**16 PIN DIP**



Dimensions in Inches  
(millimeters)

**MN3003 SERIES HIGH-ACCURACY 10-Bit D/A CONVERTERS**
**ABSOLUTE MAXIMUM RATINGS:**

Operating Temperature	0°C to +70°C
	-55°C to +125°C ("H" Models)
Storage Temperature	-65°C to +150°C
+15V Supply (Pin 10)	+18 Volts
-15V Supply (Pin 8)	-18 Volts
Digital Inputs (Pins 1-5, 12-16)	-0.5 to +15 Volts

**ORDERING INFORMATION**

PART NUMBER \_\_\_\_\_ MN300XH/B

Select model part number (MN3003, MN3004, etc.) \_\_\_\_\_  
 Standard Part is specified for 0°C to +70°C operation.  
 Add "H" suffix for specified -55°C to +125°C operation. \_\_\_\_\_  
 Add "B" to "H" devices for Environmental Stress Screening. \_\_\_\_\_

**SPECIFICATIONS (T<sub>A</sub> = 25°C, Supply Voltages ±15V, unless otherwise specified).**

DIGITAL INPUTS	MIN.	TYP.	MAX.	UNITS
Logic Levels: Logic "1" Logic "0"	2.0		0.8	Volts Volts
Input Currents: Logic "1" Logic "0"			40 - 1	μA mA
<b>ANALOG OUTPUTS</b>				
Output Voltage Range: MN3003 MN3004 MN3005 MN3007		0 to -10 -5 to +5 0 to +10 -10 to +10		Volts Volts Volts Volts
Output Impedance Output Current	± 4	0.5		Ohms mA
<b>TRANSFER CHARACTERISTICS</b>				
Linearity Error (Note 1): 0°C to +70°C -55°C to +125°C		± ¼	± ½ ± ½	LSB LSB
Monotonicity	Guaranteed Over Temperature			
Full Scale Absolute Accuracy Error (Notes 2, 3): +25°C -55°C to +125°C (Note 4)		± 0.025 ± 0.2	± 0.1 ± 0.4	% FSR % FSR
Zero Error (Notes 2, 3): +25°C -55°C to +125°C (Note 4)		± 0.025 ± 0.05	± 0.1 ± 0.1	% FSR % FSR
Unipolar Offset Error (Notes 2, 3) MN3003: +25°C -55°C to +125°C (Note 4) MN3005: +25°C -55°C to +125°C (Note 4)		± 0.025 ± 0.2 ± 0.025 ± 0.05	± 0.1 ± 0.4 ± 0.1 ± 0.1	% FSR % FSR % FSR % FSR
Bipolar Offset Error (Notes 2, 3) MN3004, MN3007 +25°C -55°C to +125°C (Note 4)		± 0.025 ± 0.2	± 0.1 ± 0.4	% FSR % FSR
Offset Drift: MN3005 MN3003, MN3004, MN3007		± 2 ±10		ppm of FSR/°C ppm of FSR/°C
Gain Error (Note 2) Gain Drift		± 0.1 ±20		% ppm/°C
<b>DYNAMIC CHARACTERISTICS</b>				
Settling Time: 10V Step to ±1/2 LSB 20V Step to ±1/2 LSB Output Slew Rate		23 46 0.5	30 60	μSec μSec Volts/μSec
<b>POWER SUPPLY REQUIREMENTS</b>				
Power Supply Range: +15V Supply -15V Supply	+14.55 -14.55	+15.00 -15.00	+15.45 -15.45	Volts Volts
Power Supply Rejection (Note 5): +15V Supply -15V Supply		± 0.005 ± 0.01	± 0.015 ± 0.03	% FSR / % Vs % FSR / % Vs
Current Drain, Output Unloaded: +15V Supply -15V Supply		13 -17	17 -22	mA mA
Power Consumption		450	585	mW

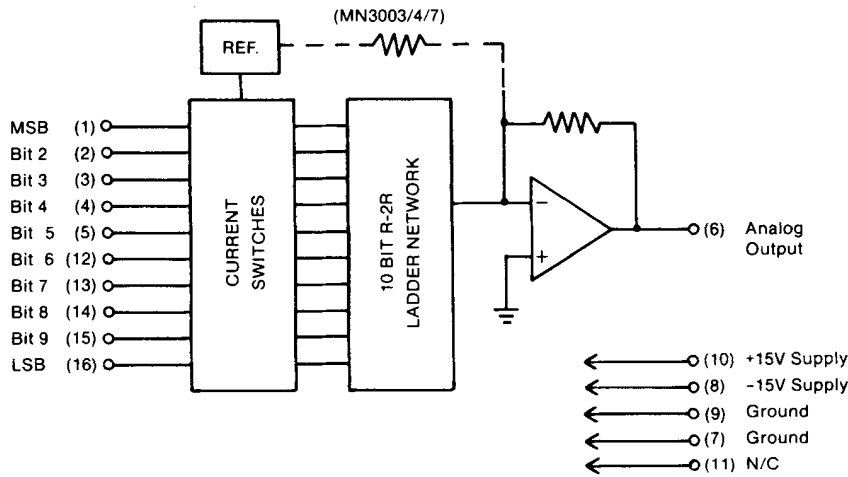
**SPECIFICATION NOTES:**

- Micro Networks tests and guarantees maximum Linearity Error at room temperature and at both extremes of the specified operating temperature range.
- See the Absolute Accuracy Error section on Page 3 for an explanation of how Micro Networks Corporation tests and specifies Full Scale Absolute Accuracy, Zero, Offset, and Gain Errors.
- One LSB for a 10 bit converter corresponds to 0.1% FSR. FSR stands for

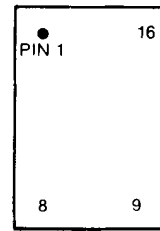
Full Scale Range and is equal to the peak to peak voltage of the converter's output range. For the MN3007, FSR is equal to 20V and 1 LSB is equal to 20mV. For the MN3003, MN3004, and MN3005, FSR is equal to 10V and 1 LSB is equal to 10mV.

- For Commercial Models, this specification applies over the 0°C to +70°C temperature range. See Ordering Information.
- The MN3003 Series will operate over a power supply range of ±14V to ±18V with reduced accuracy.

**BLOCK DIAGRAM**



**PIN DESIGNATIONS**



- |                 |                 |
|-----------------|-----------------|
| 1 Bit 1 (MSB)   | 16 Bit 10 (LSB) |
| 2 Bit 2         | 15 Bit 9        |
| 3 Bit 3         | 14 Bit 8        |
| 4 Bit 4         | 13 Bit 7        |
| 5 Bit 5         | 12 Bit 6        |
| 6 Analog Output | 11 N/C          |
| 7 Ground        | 10 +15V Supply  |
| 8 -15V Supply   | 9 Ground        |

**ABSOLUTE ACCURACY ERROR**

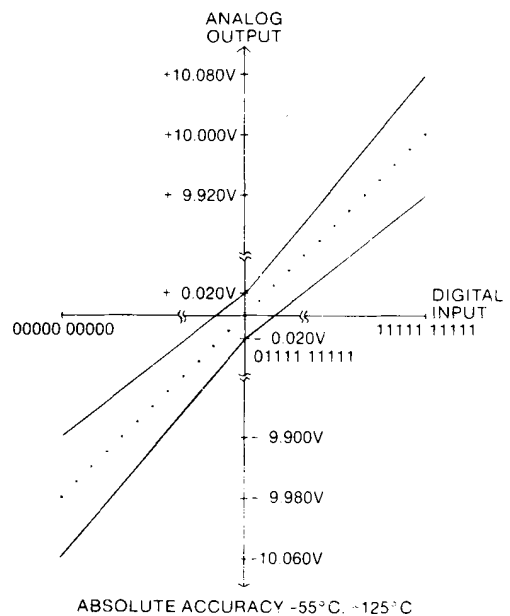
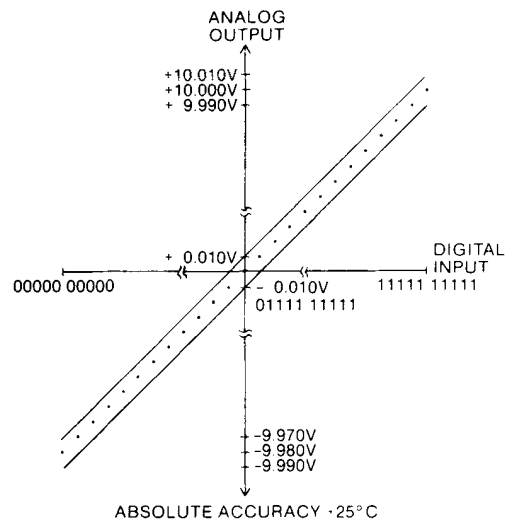
The Absolute Accuracy Error of a voltage output D/A converter is the difference between the actual, unadjusted, output voltage that appears following the application of a given digital input code and the ideal or expected output voltage for that code. This difference is usually expressed in LSB's or %FSR (see Note 3 above). Absolute Accuracy Error includes gain, offset, linearity, and noise errors and encompasses the drifts of these errors when specified over temperature.

For the MN3003 Series converters with unipolar output ranges (MN3003, MN3005), Micro Networks tests Absolute Accuracy Error at the zero and full scale outputs. For the units with bipolar output ranges (MN3004, MN3007), we test both the positive and negative full scale outputs as well as the zero volt output. We perform these tests at +25°C and at the high and low extremes of the specified operating temperature range. The errors appear in the specification table as the Full Scale Absolute Accuracy and Zero Errors.

**EXAMPLE:** For the MN3007H ( $\pm 10V$  output range,  $-55^\circ C$  to  $+125^\circ C$ ), the expected output for a 00000 00000 digital input is  $-9.980V$ , the expected output for a 01111 11111 digital input is zero volts, and the expected output for a 11111 11111 digital input is  $+10.000V$ . Micro Networks measures all three actual, unadjusted, output voltages at  $+25^\circ C$ ,  $-55^\circ C$ , and  $+125^\circ C$ . We guarantee that when the digital input is all "1's" or all "0's", the output will be at its ideal positive or negative full scale value  $\pm 20mV$  ( $\pm 0.1\%FSR$ ) at  $+25^\circ C$  and  $\pm 80mV$  ( $\pm 0.4\%FSR$ ) at  $-55^\circ C$  and  $+125^\circ C$ . We guarantee that when the digital input is 01111 11111, the output will be zero volts  $\pm 20mV$  ( $\pm 0.1\%FSR$ ) at  $+25^\circ C$  and zero volts  $\pm 20mV$  ( $\pm 0.1\%FSR$ ) at  $-55^\circ C$  and  $+125^\circ C$ . These limits are summarized in the two sketches below where the MN3007 digital input/analog output transfer function is shown as a dotted line, and the Absolute Accuracy limits are indicated with closed lines.

Unipolar and Bipolar Offset Error are both Absolute Accuracy Errors. Their definitions differ with respect to where along the converter's digital-input/analog-output transfer function the errors are to be measured, i.e., different analog output errors are measured at different digital input codes.

**OFFSET ERROR** — For the MN3003 Series, Offset Error is the Absolute Accuracy Error measured when the digital input is 00000 00000. For the MN3005, Offset Error tells how



accurate the converter will be when its output is supposed to be zero volts. For this converter, Offset Error is the same as Zero Error discussed above. For the MN3003, MN3004, and MN3007, Offset Error tells how accurate the converters will be when their outputs are supposed to be at their minus full scale values. For these converters, Offset Error is equivalent to Full Scale Absolute Accuracy Error.

It is redundant to specify Bipolar and Unipolar Offset Errors after giving Full Scale Absolute Accuracy and Zero Errors as described above. We have provided the offset specifications to simplify comparing the MN3003 Series to other 10 bit D/A's. Be sure you clearly understand each manufacturer's specification definitions before you compare converters solely on a data sheet basis.

**GAIN ERROR** — Gain Error is the difference between the ideal and the measured values of a converter's full scale range (minus 1 LSB). See Note 3 above. It is a measure of the slope of the converter's transfer function. Gain Error is not a type of Absolute Accuracy Error, but it can be calculated using two Absolute Accuracy Error measurements. It is equivalent to the Absolute Accuracy Error measured for the 11111 11111 digital input minus that measured for the 00000 00000 digital input, and it is usually expressed as a percentage.

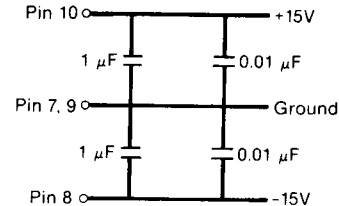
See the Converter Tutorial Section of the Micro Networks' Product Catalogue for a complete discussion of converter specifications.

## APPLICATIONS INFORMATION

**LAYOUT CONSIDERATIONS** — Proper attention to layout and decoupling is necessary to obtain specified accuracies from the MN3003 Series. The units' two Ground pins (Pins 7 and 9) should be tied together as close to the unit as possible and both connected to system analog ground, preferably through a large analog ground plane beneath the package.

If the grounds cannot be tied together and must be run separately, a non-polarized 0.01 $\mu$ F bypass capacitor should be connected between pins 7 and 9 as close to the package as possible and wide conductor runs employed.

Power supplies should be decoupled with tantalum or electrolytic type capacitors located as close to the MN3003 as possible. For optimum performance and noise rejection, 1 $\mu$ F capacitors paralleled with 0.01 $\mu$ F ceramic capacitors should be used as shown in the diagram below.



## DIGITAL INPUT CODING

DIGITAL INPUT		ANALOG OUTPUT (DC VOLTS)			
MSB	LSB	MN3003	MN3004	MN3005	MN3007
11111	11111	0.000	+5.000	+9.990	+10.000
11111	11110	-0.010	+4.990	+9.980	+9.980
10000	00000	-4.990	+0.010	+5.000	+0.020
01111	11111	-5.000	0.000	+4.990	0.000
00000	00001	-9.980	-4.980	+0.010	-9.960
00000	00000	-9.990	-4.990	0.000	-9.980