

REVISION HISTORY				
ZONE	REV	DESCRIPTION	DATE	APPROVED
	A	ERN 15-112 TB	9/11/2015	
	B	ECN 16-159 VB	8/15/2016	APIARXX/R. SINNO

**SPECIFICATIONS:**

NOMINAL IMPEDANCE: 75Ω

FREQ. RANGE: 35 MHz - 3 GHz MAX

ATTENUATION RANGE: 0 - 95.5 dB / 0.5 dB STEPS

INSERTION LOSS (MAX):

35 MHz - 1 GHz: 3.5 dB  
1 - 3 GHz: 4.5 dB

VSWR (MAX):

35 MHz - 1 GHz: 1.8:1  
1 GHz - 3 GHz: 2:1

ATTENUATION ACCURACY (dB):

0 - 20 dB: ± 1 dB  
20-95.5 dB: ± 1.3 dB OR ± 4% WHICHEVER IS GREATER

MONOTONICITY: MIN OF 1 dB STEPS

POWER RATING: +28 dBm MAX

RF Trise/Tfall SWITCHING TIME: 1 μSec MAX (10%/90% RF)

TTL CTRL to RF SWITCHING TIME: 8 μSec TYP (50% CTRL to 90% RF)

TTL OPERATING VOLTAGE: +5V @ 30mA

CONTROL LOGIC: TTL LOW FOR THRU PATH  
TTL HIGH FOR ATTENUATION

TEMPERATURE RANGE: 0°C - 70°C

CONNECTORS: F FEMALE

CONTROL CONNECTOR: AMP LATCH 10 PIN RIBBON  
CABLE CONNECTOR MATES  
WITH AMP P/N 746285-1  
(SUPPLIED WITH EACH UNIT)  
USB MINI-B

TTL CONTROL CONNECTO	
PIN #	ASSIGNMENT
1	0.5 dB
2	1 dB
3	2 dB
4	4 dB
5	8 dB
6	16 dB
7	32 dB
8	32 dB
9	+5V
10	GND

USB CONTROL CONN	
PIN #	ASSIGNMENT
1	VBUS (+5V)
2	D-
3	D+
4	ID (NC)
5	GND

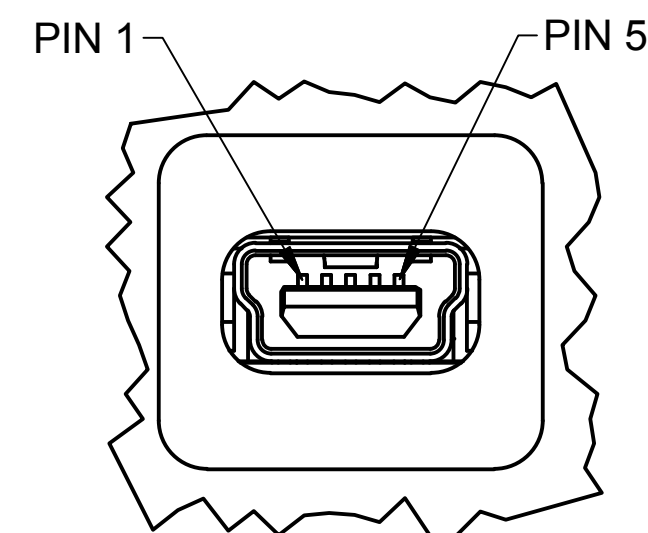
**NOTES:**

- ALL DIMENSIONS ARE GIVEN IN mm [in.] AND ARE NOMINAL UNLESS OTHERWISE SPECIFIED.
- ALL MATERIALS AND PROCESSES ARE TO BE IN COMPLIANCE WITH THE EUROPEAN DIRECTIVE RESTRICTION OF HAZARDOUS SUBSTANCES (RoHS) (REF: WEINSCHTEL 080-638) WITH EXEMPTION (REF: WEINSCHTEL 080-638-2)

**INTERFACE CONTROL DRAWING**

UNLESS OTHERWISE SPECIFIED DIMENSIONS ARE IN INCHES TOLERANCES ARE: FRACTIONS DECIMALS ANGLES ±1/64 .XX ± .01 ± 1/2° .XXX ± .003		CONTRACT NO.		API Weinschel, Inc.	
APPROVALS		DATE		<b>ASSEMBLY, ATTENUATOR PROGRAMMABLE</b>	
DRAWN T. BONNEFO		03/2015			
CHECKED A. HOPKINS		7/13/2016			
ENGR. R. SINNO		7/13/2016		SIZE <b>D</b>	FSCM NO. <b>93459</b>
ISSUED				DWG NO. 089-4602	REV <b>B</b>
APPLICATION		DO NOT SCALE DRAWING		SHEET 1 OF 1	

**PROPRIETARY NOTICE**  
THIS DOCUMENT IS COMMERCIAL CONFIDENTIAL AND THE INFORMATION CONTAINED THEREIN MAY NOT BE DISSEMINATED, NOR IS REPRODUCTION PERMITTED EXCEPT BY WRITTEN AUTHORIZATION.



DETAIL A  
SCALE 4 : 1  
ROTATED 90° CW

