

ADAPTERS, BETWEEN SERIES 7mm / TYPE N

DC - 18 GHz PRECISION



MODELS: 5112, 5113

SPECIFICATIONS:

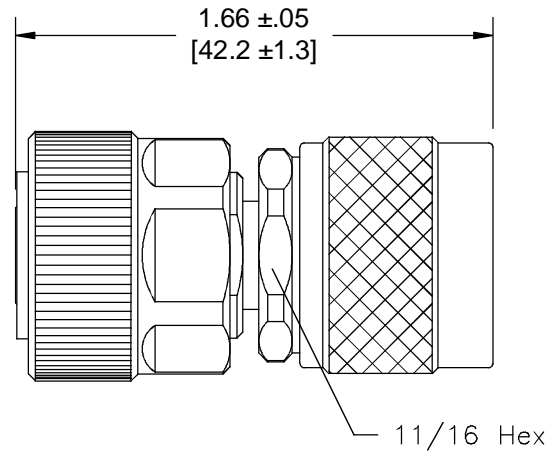
Electrical:

Frequency Range _____ DC – 18 GHz
VSWR
DC – 4 GHz _____ 1.04:1 Max.
4 – 8 GHz _____ 1.07:1 Max.
8 – 18 GHz _____ 1.12:1 Max.
Impedance _____ 50 Ohms
Operating Temp. Range _____ -65°C to +125°C

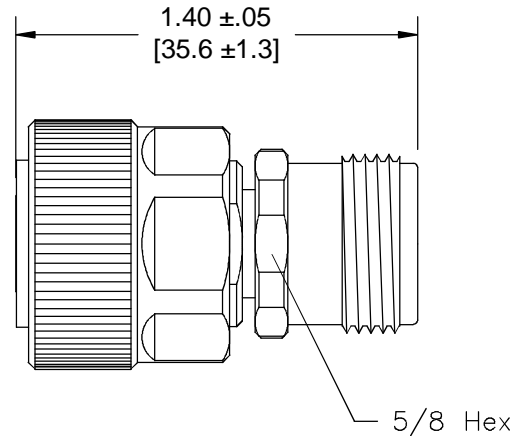
Mechanical:

Type N Connectors _____ Passivated Stainless Steel
Mates with MIL-STD-348
7mm Connectors _____ Electropolished Stainless Steel
IAW IEEE STD 287
Conductors _____ Gold Plated Beryllium Copper

Model Number: **5112**
7mm / Type N Male



Model Number: **5113**
7mm / Type N Female



Note: Dimensions in Brackets are Expressed in Millimeters and are for Reference Only.
Design specifications are subject to change without notice.
Contact factory for technical specifications before purchasing or use.

5112; REV C