

ADAPTERS, BETWEEN SERIES 7mm / 2.9mm

DC - 18 GHz PRECISION



MODELS: 5183, 5184

SPECIFICATIONS:

Electrical:

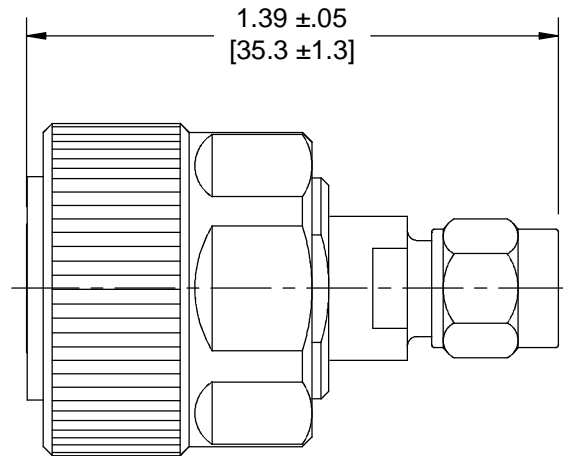
Frequency Range _____ DC - 18 GHz
VSWR _____ 1.10:1 Max.
Impedance _____ 50 Ohms
Operating Temp. Range _____ -65°C to +125°C

Mechanical:

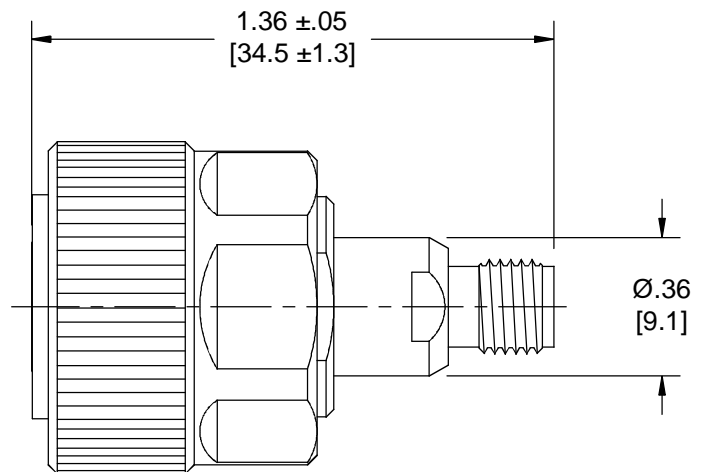
2.9mm Connectors _____ Passivated Stainless Steel
Mates both Mechanically & Electrically with
all SMA, K* & 3.5mm Series Connectors.
7mm Connectors _____ Electropolished Stainless Steel
IAW IEEE STD 287
Conductors _____ Gold Plated Beryllium Copper

*K is a Trademark of Wiltron Corp.

Model Number: **5183**
7mm / 2.9mm Male



Model Number: **5184**
7mm / 2.9mm Female



Note: Dimensions in Brackets are Expressed in Millimeters and are for Reference Only.
Design specifications are subject to change without notice.
Contact factory for technical specifications before purchasing or use.

5183; REV B