

# ADAPTERS, IN-SERIES 2.9mm

# DC - 40 GHz BULKHEAD MOUNT



MODELS: 5214

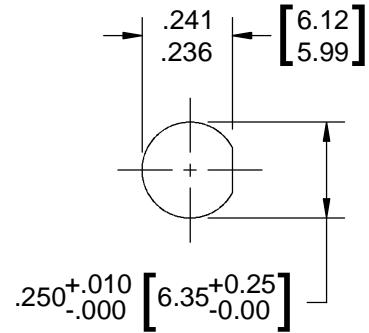
## SPECIFICATIONS:

### Electrical:

Frequency Range \_\_\_\_\_ DC - 40 GHz  
 VSWR  
 DC - 18 GHz \_\_\_\_\_ 1.10:1 Max.  
 18 - 26.5 GHz \_\_\_\_\_ 1.20:1 Max.  
 26.5 - 40 GHz \_\_\_\_\_ 1.30:1 Max.  
 Impedance \_\_\_\_\_ 50 Ohms  
 Operating Temp Range \_\_\_\_\_ -65°C to +125°C

### Mechanical:

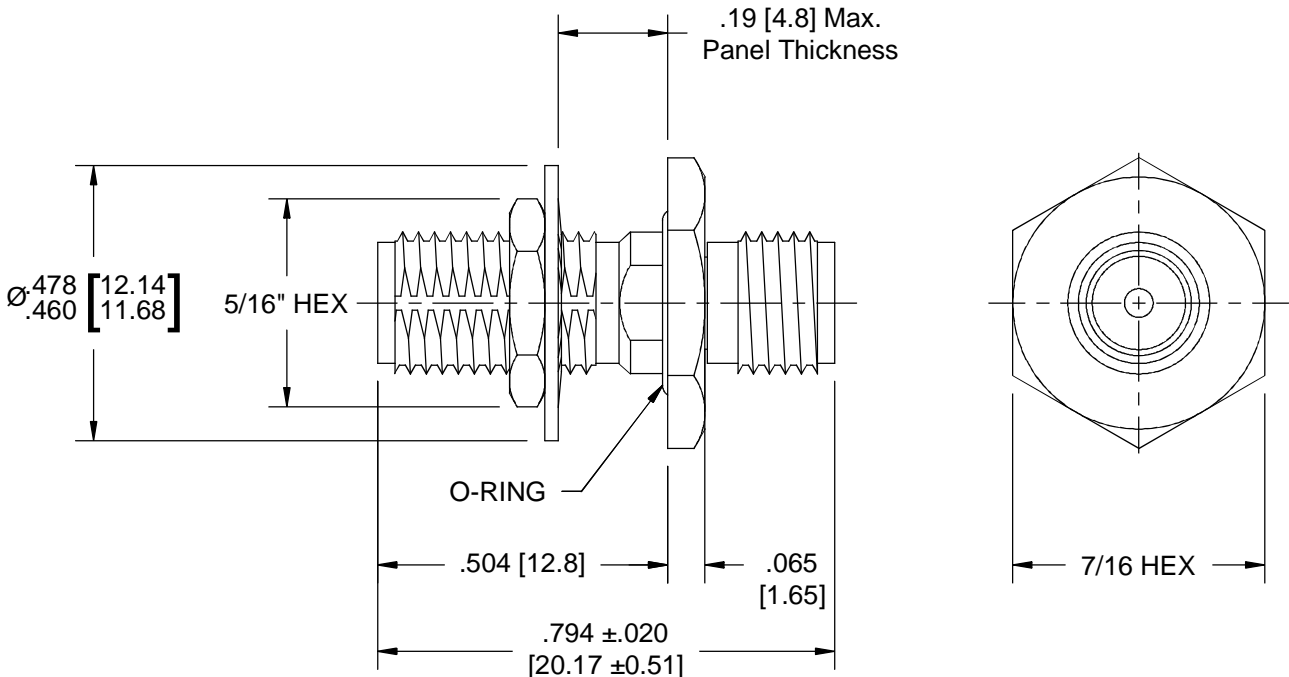
2.9mm Connectors \_\_\_\_\_ Passivated Stainless Steel  
 (Mates both Mechanically & Electrically with  
 all SMA, K\* & 3.5mm Series Connectors)  
 Conductors \_\_\_\_\_ Gold Plated Beryllium Copper  
 Nut & Washer: \_\_\_\_\_ Passivated Stainless Steel  
 O-Ring \_\_\_\_\_ Silicone Rubber



Recommended  
Mounting Hole

\* K is a Trademark of Wiltron Corp.

Model Number: **5214**



Panel Nut, Lock Washer and O-Ring are Shipped Unassembled.

Note: Dimensions in Brackets are Expressed in Millimeters and are for Reference Only.  
 Design specifications are subject to change without notice.  
 Contact factory for technical specifications before purchasing or use.

5214; REV F