

ADAPTERS, IN-SERIES

2.9mm

DC - 40 GHz

BULKHEAD MOUNT



MODELS: 5223

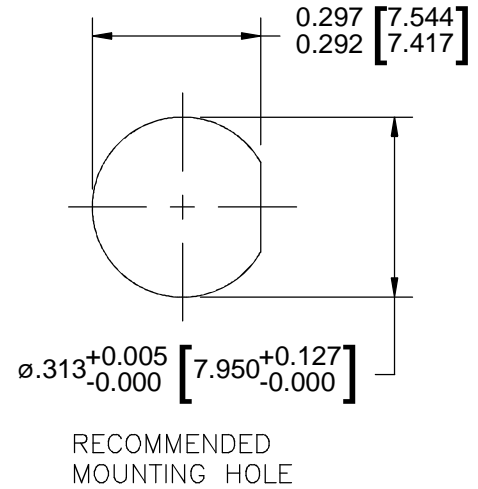
SPECIFICATIONS:

Electrical:

Frequency Range _____ DC - 40 GHz
 VSWR
 DC - 18 GHz _____ 1.15:1 Max.
 18 - 26.5 GHz _____ 1.25:1 Max.
 26.5 - 40 GHz _____ 1.35:1 Max.
 Nominal Impedance _____ 50 Ohms
 Operating Temp Range _____ -65°C to +125°C

Mechanical:

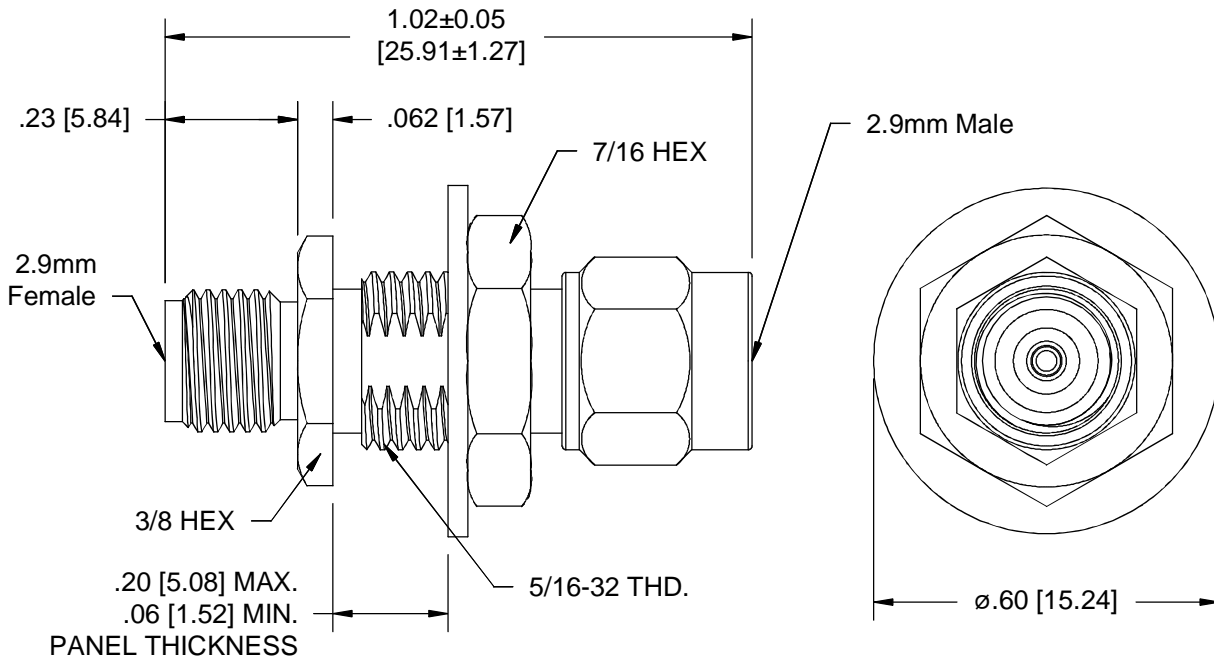
2.9mm Connectors _____ Passivated Stainless Steel
 Mates SMA, 3.5mm and K* Connectors
 as well as SMK IAW MIL-STD-348
 Conductors _____ Gold Plated Beryllium Copper
 Coupling Nut _____ Passivated Stainless Steel



*K is a trademark of Anritsu Corp.

Model Number: **5223**

OVERALL LENGTH IS WITH COUPLING NUT
 BIASED FULLY FORWARD (INSTALLED LENGTH)



NOTE: COUPLING NUT, RETAINING RING, PANEL NUT
 AND LOCKWASHER ARE SHIPPED UN-ASSEMBLED.

Note: Dimensions in Brackets are Expressed in Millimeters and are for Reference Only.
 Design specifications are subject to change without notice.
 Contact factory for technical specifications before purchasing or use.