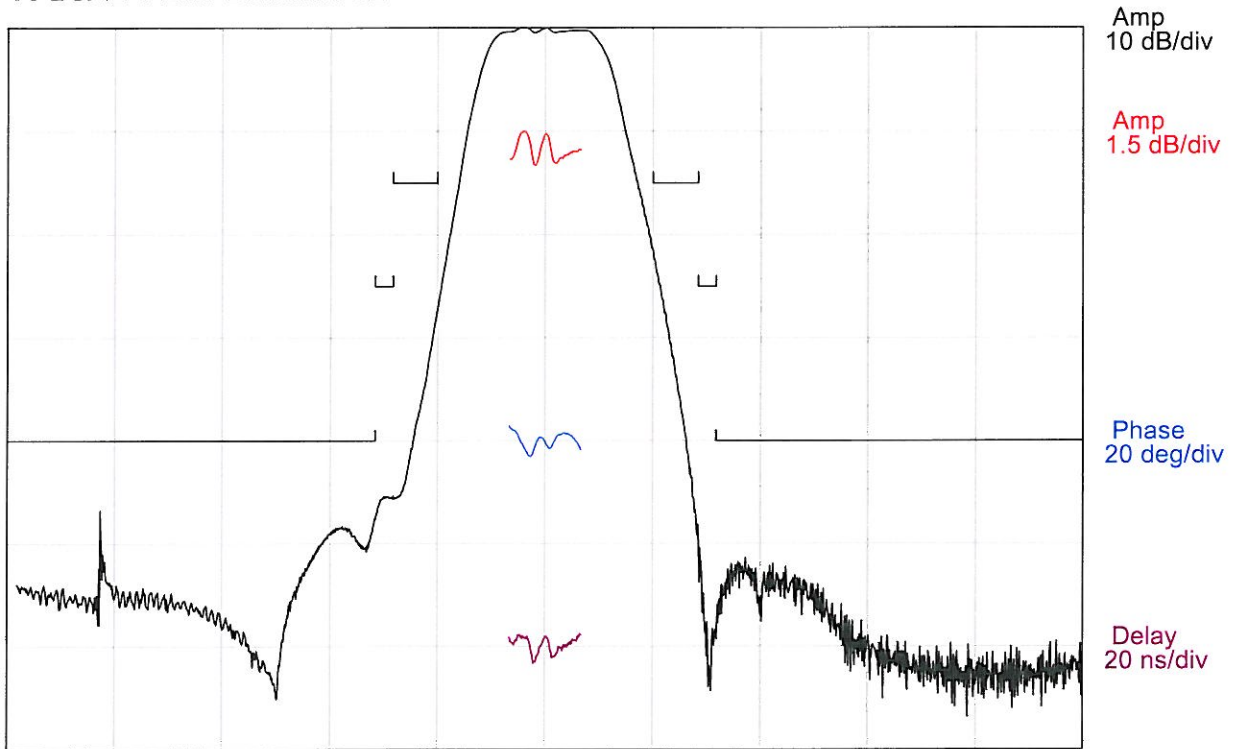


**DESCRIPTION**

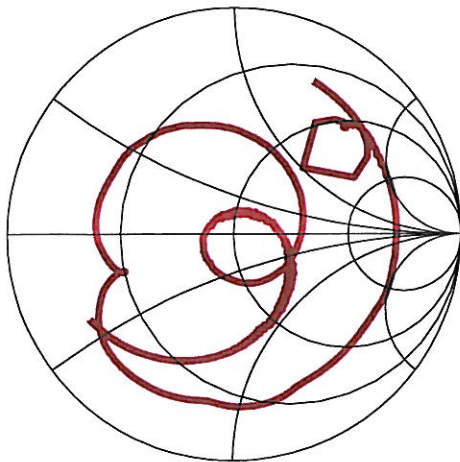
- 1130 MHz SAW bandpass filter with minimum 40 MHz bandwidth.
- 3 x 3 mm ceramic LCC, 8 pads.
- RoHS compliant.

**TYPICAL PERFORMANCE**

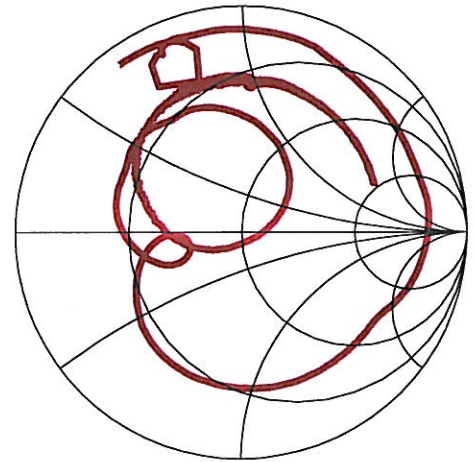


Center = 1130 MHz, 60 MHz/div (375 kHz incr)

**S11 (830-1430 MHz)**

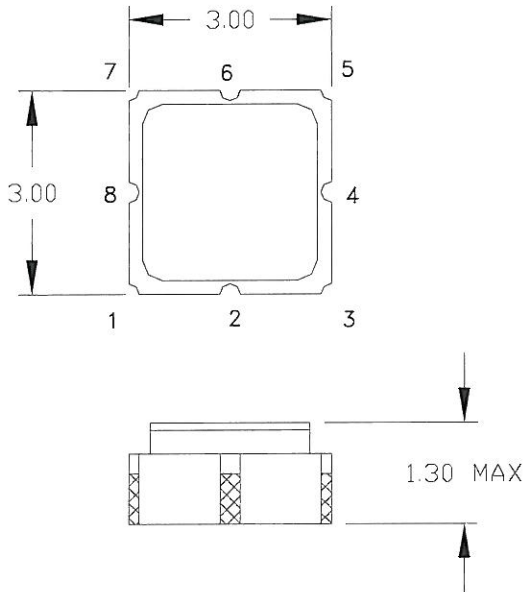


**S22 (830-1430 MHz)**





**PACKAGE OUTLINE**



**Units:** mm

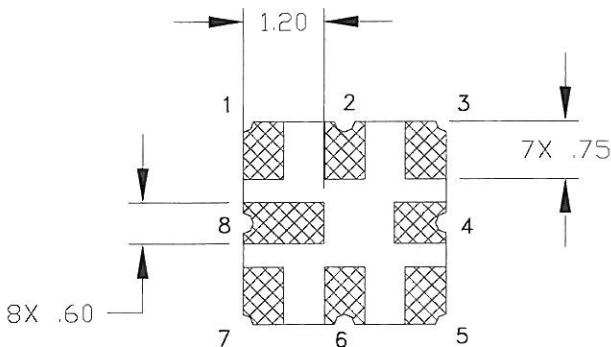
Tolerances are  $\pm 0.15$  mm except where indicated.

**Pad Configuration:**

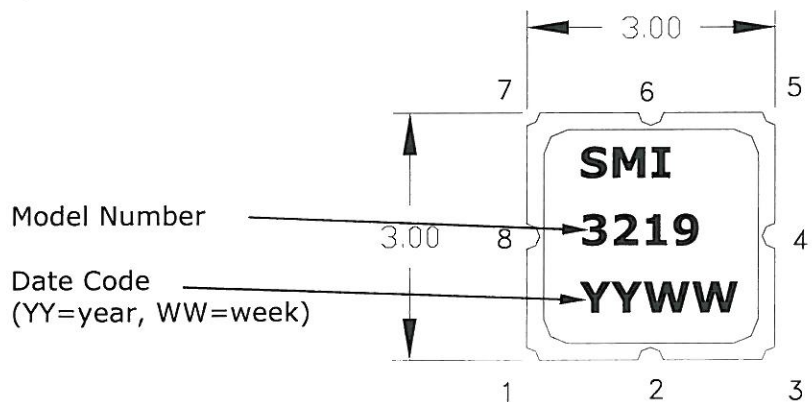
Input: 2  
Output: 6  
Ground: all other pads

**Package Material:**

Body:  $Al_2O_3$  ceramic  
Lid: Kovar, Ni plated  
Terminations: Au plating 1  $\mu$ m min, over a 1.3-8.9  $\mu$ m Ni plating



**MARKING**



All specifications are believed to be accurate and reliable. However, Spectrum Microwave reserves the right to make changes without notice.  
© 2011 All rights reserved.