

Double Balanced Mixer

Model M53T

RF Band

RF 10 to 1500 MHz

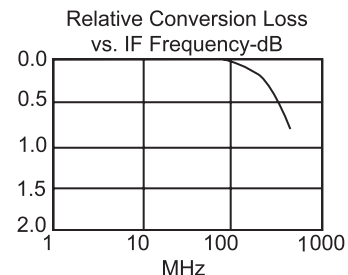
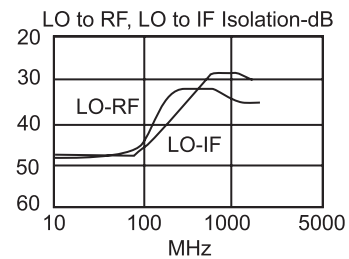
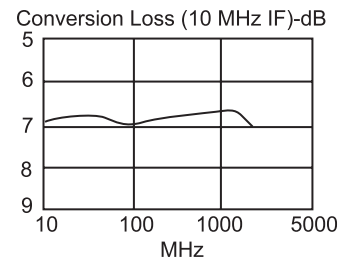
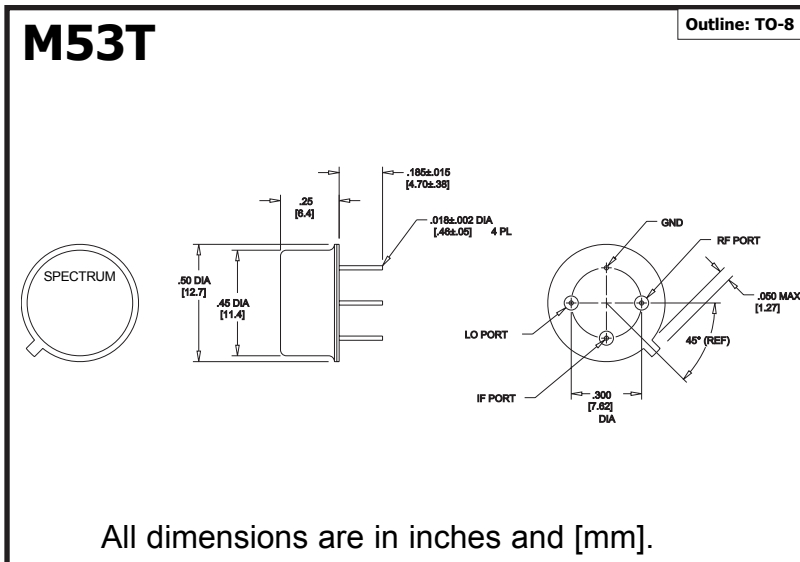
Electrical Specifications ⁽¹⁾:

Parameter	Conditions			Specifications		
	RF (MHz)	LO (MHz)	IF (MHz)	Min	Typical	Max
SSB Conversion loss: ⁽²⁾⁽³⁾	10-1500	10-1500	DC-800		7.0 dB	8.5 dB
Isolation						
LO to RF:		10-500		30 dB		
		500-900		28 dB		
		900-1500		30 dB		
LO to IF:		10-500		28 dB		
		500-1500		25 dB		
Input 1-dB Compression Point:	10-1500	10-1500	DC-800		+3.5 dBm	
Desensitization Point:	10-1500	10-1500	DC-800		+1.5 dBm	
Input Third Order Intercept Point:	10-1500	10-1500	DC-800		+13 dBm	
LO Power: ⁽³⁾	10-1500	10-1500	DC-800		+7 dBm	

Notes:

- Specifications are guaranteed when tested as a downconverter in a 50 Ohm system at +25°C with the nominal LO power. Specifications indicated as typical are not guaranteed.
- SSB Noise figure is nominally within ±0.5 dB of the SSB conversion loss for IF frequencies > 10 MHz.
- Usable LO drives are up to 2 dB below and 3 dB above nominal.

Typical Performance at 25°C



Spectrum Microwave · 2144 Franklin Drive N.E. · Palm Bay, FL 32905 · PH (888) 553-7531 · Fax (888) 553-7532

www.SpectrumMicrowave.com · Spectrum Microwave · 2707 Black Lake Place · Philadelphia, PA 19154 · PH (215) 464-4000 · Fax (215) 464-4001