

# SHORT CIRCUITS TYPE N

DC - 18 GHz



MODELS: 7001, 7001C, 7002, 7002C

## SPECIFICATIONS:

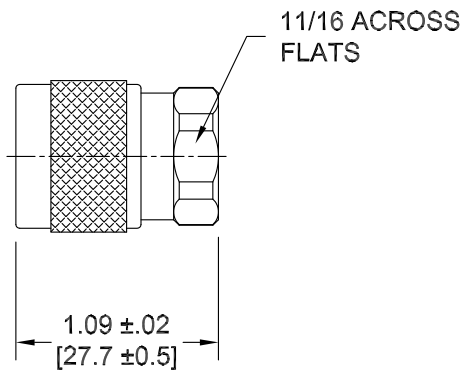
### Electrical:

Frequency Range \_\_\_\_\_ DC – 18 GHz  
Reflection \_\_\_\_\_ 100% Nominal

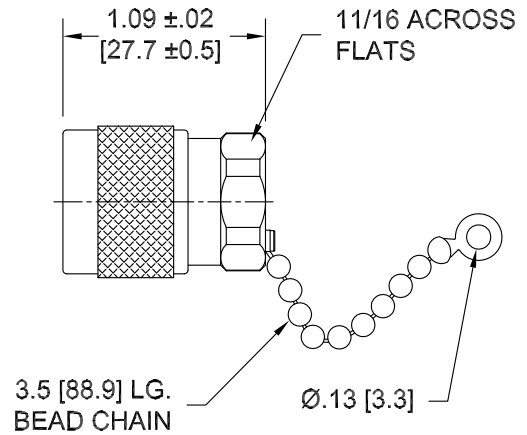
### Mechanical:

Connectors \_\_\_\_\_ Passivated Stainless Steel  
Mates with MIL-STD-348  
Conductors \_\_\_\_\_ Gold Plated Beryllium Copper  
Bead Chain \_\_\_\_\_ Passivated Stainless Steel

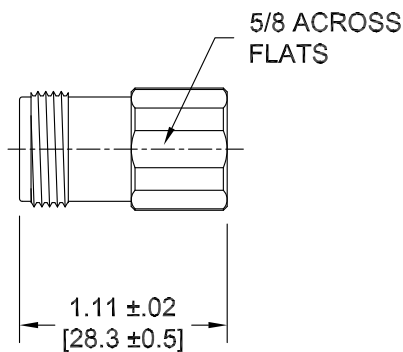
Model Number: **7001**  
Type N Male



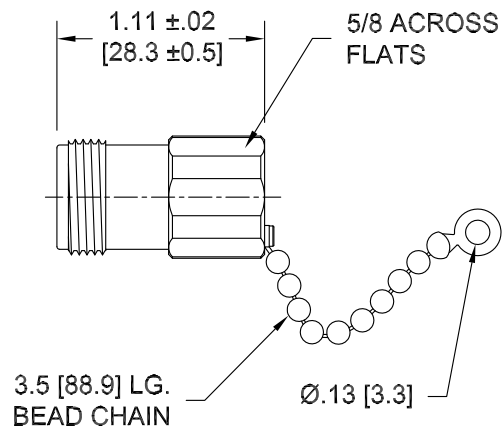
Model Number: **7001C**  
Type N Male with Chain



Model Number: **7002**  
Type N Female



Model Number: **7002C**  
Type N Female with Chain



Note: Dimensions in Brackets are Expressed in Millimeters and are for Reference Only.  
Design specifications are subject to change without notice.  
Contact factory for technical specifications before purchasing or use.