

OPEN CIRCUITS TYPE N

DC - 18 GHz



MODELS: 7004, 7004C, 7005, 7005C

SPECIFICATIONS:

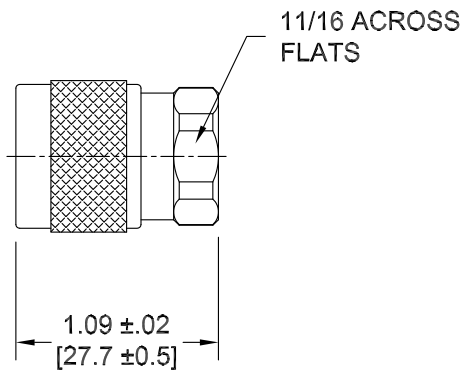
Electrical:

Frequency Range _____ DC - 18 GHz
Reflection _____ 100% Nominal

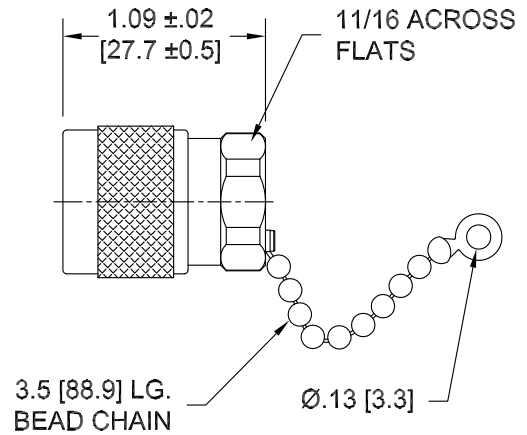
Mechanical:

Connectors _____ Passivated Stainless Steel
Mates with MIL-STD-348
Conductors _____ Gold Plated Beryllium Copper
Bead Chain _____ Passivated Stainless Steel

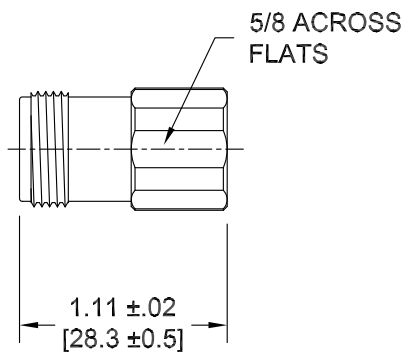
Model Number: **7004**
Type N Male



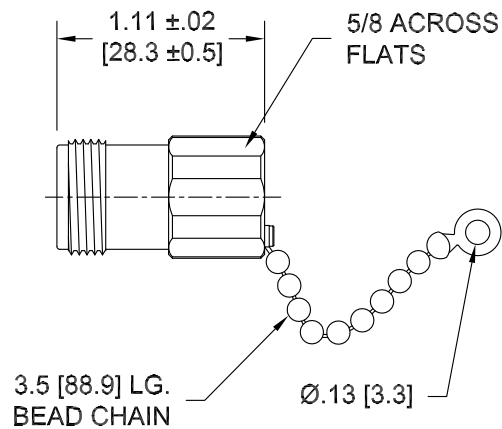
Model Number: **7004C**
Type N Male with Chain



Model Number: **7005**
Type N Female



Model Number: **7005C**
Type N Female with Chain



Note: Dimensions in Brackets are Expressed in Millimeters and are for Reference Only.
Design specifications are subject to change without notice.
Contact factory for technical specifications before purchasing or use.