

OPEN CIRCUITS TYPE F

DC - 3 GHz

api 
technologies corp.
> INMET

MODELS: 7015, 7016

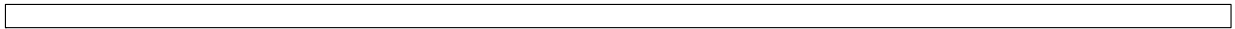
SPECIFICATIONS:

Electrical:

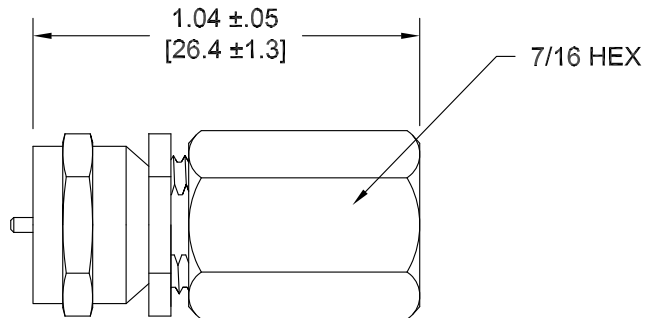
Frequency Range _____ DC - 3 GHz
Reflection _____ 100% Nominal

Mechanical:

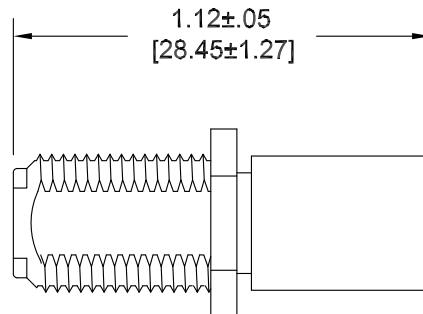
Connectors _____ Bright Acid Tin Plated Brass
Conductors _____ Gold Plated Brass



Model Number: **7015**
Type F Male



Model Number: **7016**
Type F Female



Note: Dimensions in Brackets are Expressed in Millimeters and are for Reference Only.
Design specifications are subject to change without notice.
Contact factory for technical specifications before purchasing or use.