

POWER DIVIDERS, RESISTIVE TYPE N

UP TO **18 GHz**
1 WATT



MODELS: 6011, 6011-02

SPECIFICATIONS:

Electrical:

Frequency Range _____ See Below
 Standard Freq. Values _____ 12.4 & 18 GHz
 Input VSWR _____ See Below
 Impedance _____ 50 Ohms
 Insertion loss _____ See Below
 Phase Tracking _____ See Below
 Input Power _____ 1 Watt Avg. @ 25°C
 Power Coefficient _____ Derated linearly to 0 Watts @ +125°C <0.005dB/dB/Watt
 Temperature Coefficient _____ <0.0004dB/dB/°C
 Operating Temp. Range _____ -55°C to +125°C

Mechanical:

Type N Connectors _____ Passivated Stainless Steel
Mates with MIL-STD-348
 Housing _____ Anodized Aluminum
 Conductors _____ Gold Plated Beryllium Copper

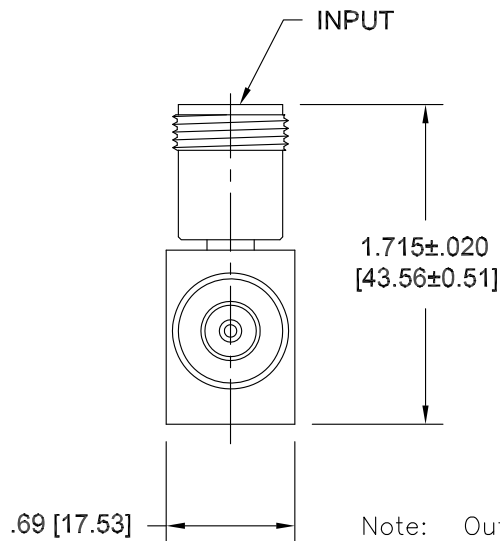
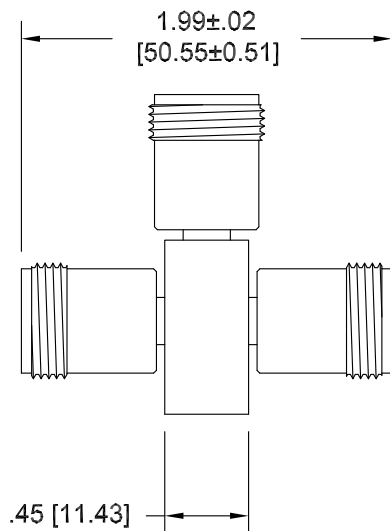


Model Number: 6011

Frequency Range _____ DC - 18 GHz
 Input VSWR _____ 1.30:1 Max.
 Insertion Loss _____ 7.5dB Nominal
 Phase Tracking _____ ±3°
 (between output ports)
 Amplitude Tracking _____ 0.5 dB

Model Number: 6011-02

Frequency Range _____ DC - 12.4 GHz
 Input VSWR _____ 1.30:1 Max.
 Insertion Loss _____ 6dB Nominal
 Phase Tracking _____ ±2°
 (between output ports)
 Amplitude Tracking _____ 0.4 dB



Note: Output ports are symmetrical to input port.

Note: Dimensions in Brackets are Expressed in Millimeters and are for Reference Only.
 Design specifications are subject to change without notice.
 Contact factory for technical specifications before purchasing or use.