

# TERMINATION CHIP

**DC - 7 GHz  
25 WATTS**



MODELS: ANC100-200AG-XXXXY

## SPECIFICATIONS:

### Electrical:

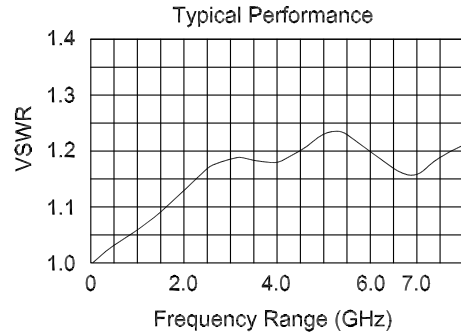
Frequency Range \_\_\_\_\_ DC - 7 GHz  
 Ohm Value \_\_\_\_\_ 50 ±5% Ohms Standard  
 Power Handling\* \_\_\_\_\_ 25 Watts Average  
 Derated Linearly to 0 Watts @ +150°C

### VSWR

DC - 4 GHz \_\_\_\_\_ 1.25:1 Max.  
 4 - 7 GHz \_\_\_\_\_ 1.35:1 Max.  
 Operating Temp. Range \_\_\_\_\_ -55°C to +150°C

### Mechanical:

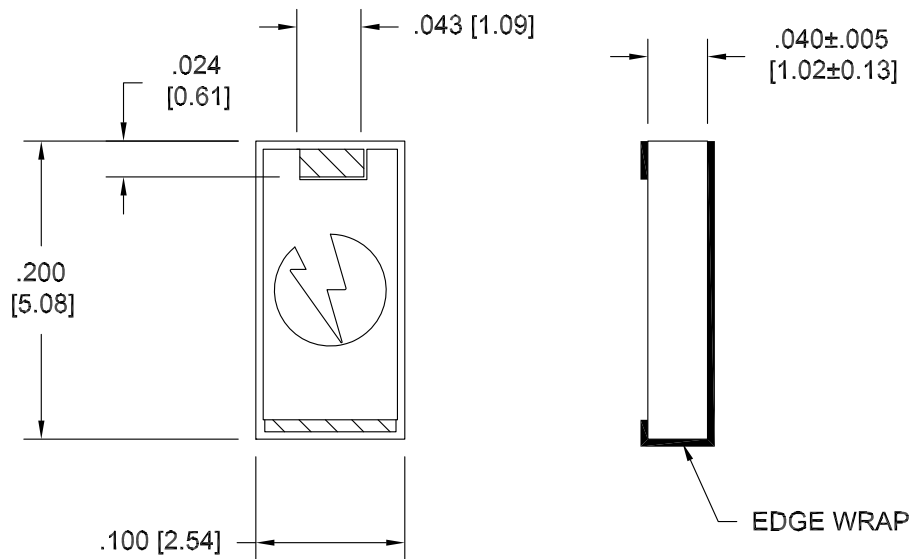
Substrate \_\_\_\_\_ Aluminum Nitride  
 Resistor Material \_\_\_\_\_ Proprietary Thin Film  
 Terminal Finish \_\_\_\_\_ Silver



\*Mounting Surface Shall not Exceed 100°C Max.

Model Number: ANC100-200AG-50R0J Shown

Tolerance: .XXX = ±.010



## HOW TO ORDER

Model Number: ANC100-200AG-XXXXY

Ohm Value \_\_\_\_\_ Tolerance \_\_\_\_\_  
 50R0 = 50 Ohms G = ±2%  
 1000 = 100 Ohms J = ±5%  
 (Other Values Available)

Note: Dimensions in Brackets are Expressed in Millimeters and are for Reference Only.

Design specifications are subject to change without notice.