

RESISTOR, TERMINATION CHIP

DC - 4.0 GHz HIGH POWER



MODELS: ANC50-50G-YYYYZ, ANC50-50X-YYYYZ, ANC50-50W-YYYYZ, ANC50-50S-YYYYZ

SPECIFICATIONS:

Electrical:

Frequency Range _____ DC - 4.0 GHz
 Standard Ohm Values* _____ 50 & 100 Ohms
 (Type "G" Terminal available in 50 Ohms only)
 Capacitance _____ 0.5 pF
 Input Power (CW) _____ 5 Watts Max.
 VSWR (Terminations only) _____ 1.25:1 Typical

Mechanical:

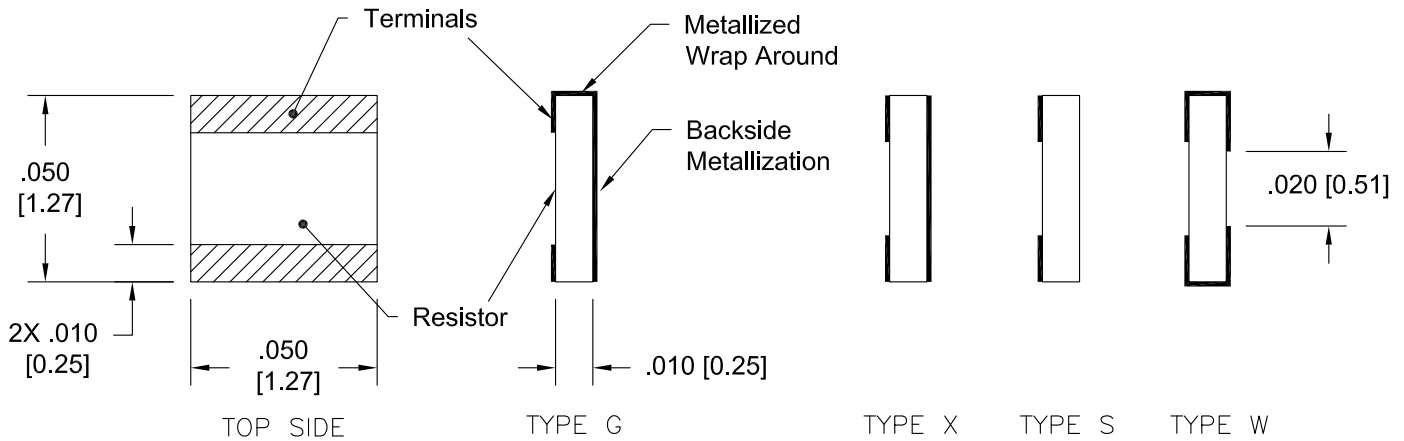
Substrate _____ Aluminum Nitride
 Solderable Terminals _____ Electroplated Silver over Nickel
 (See How to Order for Tinning options)

Packaging:

Waffle Pack Standard
 Tape & Reel Optional

*Other Ohm Values Available upon Request

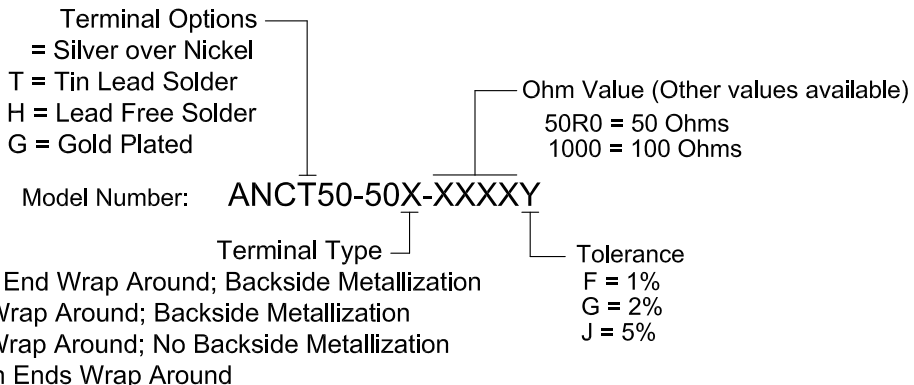
Model Number: **ANC50-50X-XXXXY**



TOLERANCES: .XXX ± .010

Dimensions are for substrate only and do not include terminal thickness or optional tinning thickness.

HOW TO ORDER:



Note: Dimensions in Brackets are Expressed in Millimeters and are for Reference Only.
 Design specifications are subject to change without notice.
 Contact factory for technical specifications before purchasing or use.