

TERMINATION FLANGED

**DC - 1 GHz
200 WATTS**



MODELS: ANT975-200-XXXXY

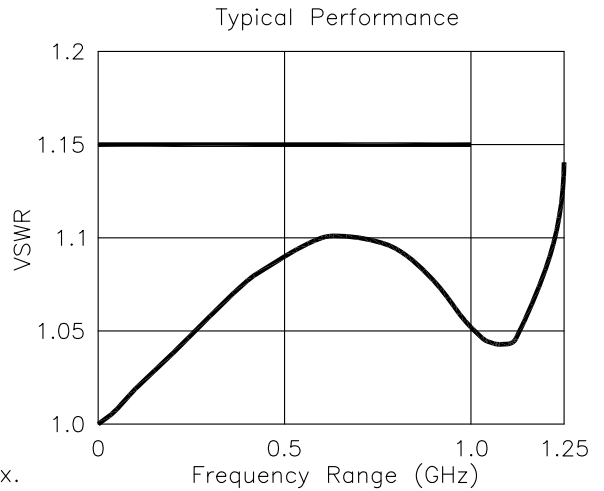
SPECIFICATIONS:

Electrical:

Frequency Range _____ DC - 1 GHz
 Ohm Value _____ 50 & 100 ±5% Standard
 Input Power* _____ 200 Watt Avg.
 VSWR _____ 1.15:1 Max.

Mechanical:

Substrate _____ Aluminum Nitride
 Resistor _____ Proprietary Thin Film
 Cover _____ Alumina Ceramic
 Mounting Flange _____ Nickel Plated Copper
 Tabs _____ Gold Plated Beryllium Copper

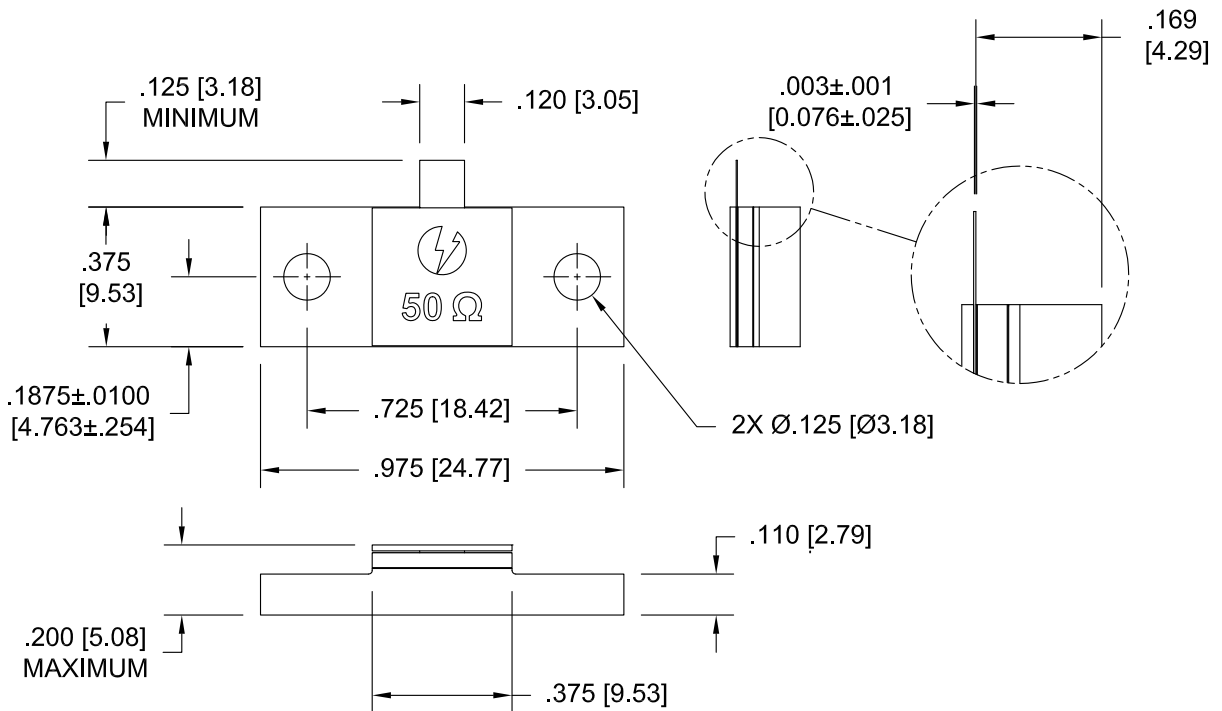


*Mounting Surface Shall not Exceed 100°C Max.



Outline: ANT975-200-50R0J shown

TOLERANCE: .XXX ± .010



HOW TO ORDER:

Model Number: ANT975-200-XXXXY

Ohm Value _____ Tolerance
 50R0 = 50 Ohms G = 2%
 1000 = 100 Ohms J = 5% (Standard)
 (Other values available)

Note: Dimensions in Brackets are Expressed in Millimeters and are for Reference Only.
 Design specifications are subject to change without notice.
 Contact factory for technical specifications before purchasing or use.