

ATTENUATOR CHIP

**DC - 2.3 GHz
100 WATTS**



MODELS: 2KNA100-XX

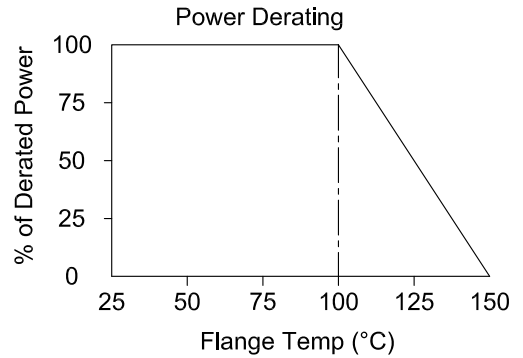
SPECIFICATIONS:

Electrical:

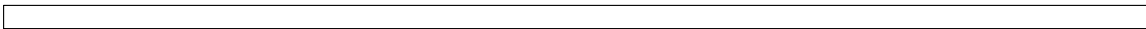
Frequency Range _____ DC - 2.3 GHz
 Standard dB Values _____ 3, 20, 25 & 30 dB
 Atten. Accuracy _____ ± 0.5 dB
 Impedance _____ 50 $\pm 5\%$ Ohms
 Power Handling* _____ 100 Watts Max.
 VSWR (Input & Output) _____ 1.25:1 Max.
 Operating Temp. Range _____ -55°C to +150°C

Mechanical:

Substrate _____ Aluminum Nitride
 Resistor Material _____ Proprietary Thin & Thick Film
 Terminal Finish _____ Silver

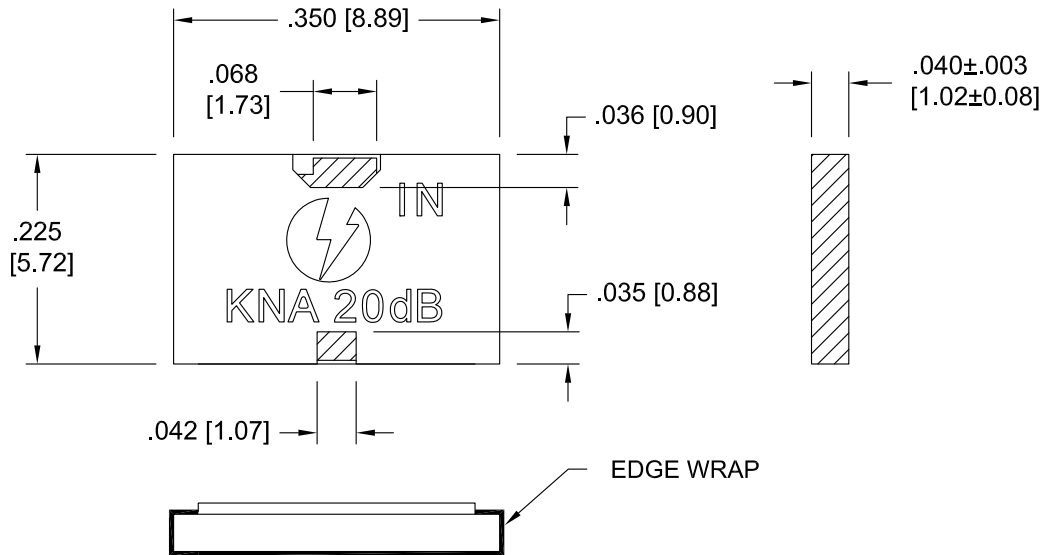


*Mounting Surface Shall not Exceed 100°C Max.



Model Number: 2KNA100-20 Shown

Tolerance: .XXX = ± 0.010



HOW TO ORDER

Model Number: 2KNA100-XX

└── dB Value
 3 = 3 dB
 20 = 20 dB

Dimensions are for substrate only and do not include terminal thickness or optional tinning thickness.

Note: Dimensions in Brackets are Expressed in Millimeters and are for Reference Only.

Design specifications are subject to change without notice.