

ATTENUATOR FLANGED

DC - 3 GHz 100 WATTS



MODELS: 3ANA100-XX

SPECIFICATIONS:

Electrical:

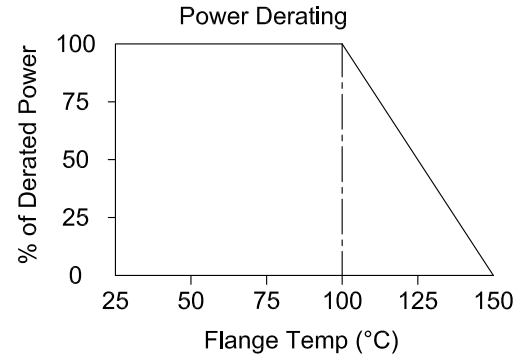
Frequency Range _____ DC - 3 GHz
 Standard dB Values _____ 20 & 30 dB

Attenuation Accuracy	Frequency (GHz)		
	DC - 1	1 - 2.3	2.3 - 3
20 dB	±0.5 dB	±0.5 dB	±0.75 dB
30 dB		+0.5/-1.25 dB	+0.75/-1.75 dB

Impedance _____ 50 Ohms
 Power Handling* _____ 100 Watts Average
 _____ Derated Linearly to 0 Watts @ +100°C
 VSWR
 DC - 2.5 GHz _____ 1.25:1 Max.
 Operating Temp. Range _____ -55°C to +150°C

Mechanical:

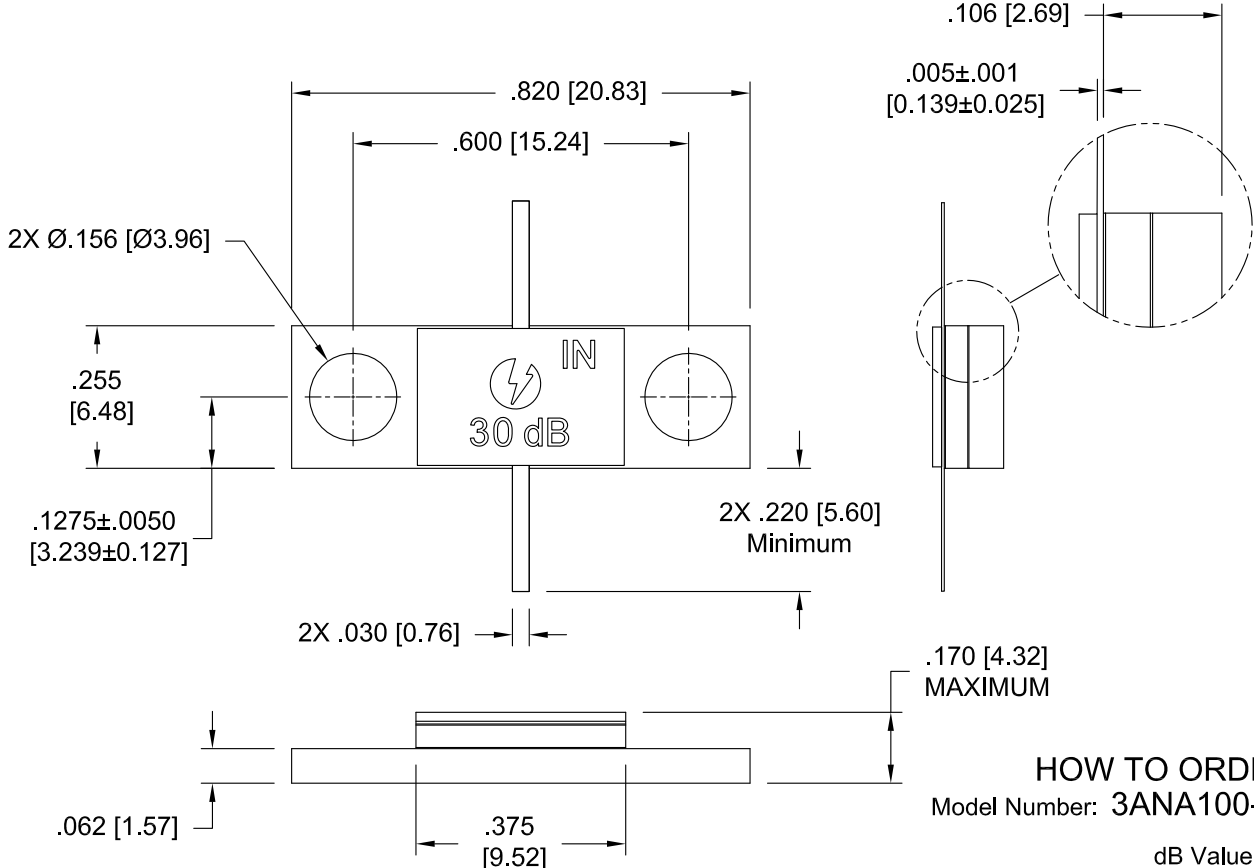
Substrate _____ Aluminum Nitride
 Resistor Material _____ Proprietary Thin Film
 Cover _____ Alumina Ceramic
 Flange _____ Nickel Plated Copper
 Tab _____ Silver



*Mounting Surface Shall not Exceed 100°C Max.

Model Number: 3ANA100-30 Shown

Tolerance: .XXX = ±.010



HOW TO ORDER
 Model Number: 3ANA100-XX

dB Value
 20 = 20 dB
 30 = 30 dB

Note: Dimensions in Brackets are Expressed in Millimeters and are for Reference Only.
 Design specifications are subject to change without notice.