

TERMINATION FLANGED

DC - 200 MHz 600 WATTS



MODELS: ANT1900-600 SERIES

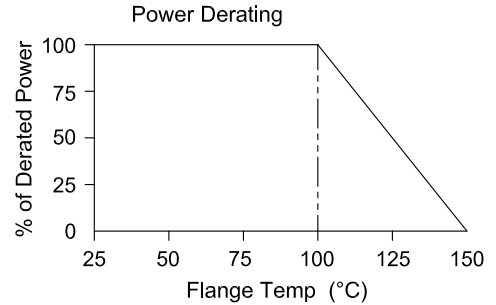
SPECIFICATIONS:

Electrical:

Frequency Range _____ DC - 200 MHz
 Impedance _____ 50 & 100 $\pm 5\%$ Ohms (Standard)
 Power Handling* _____ 600 Watts Average
 _____ Derated Linearly to 0 Watts @ +150°C
 VSWR _____ 1.50:1 Max.
 Operating Temp. Range _____ -55°C to +150°C

Mechanical:

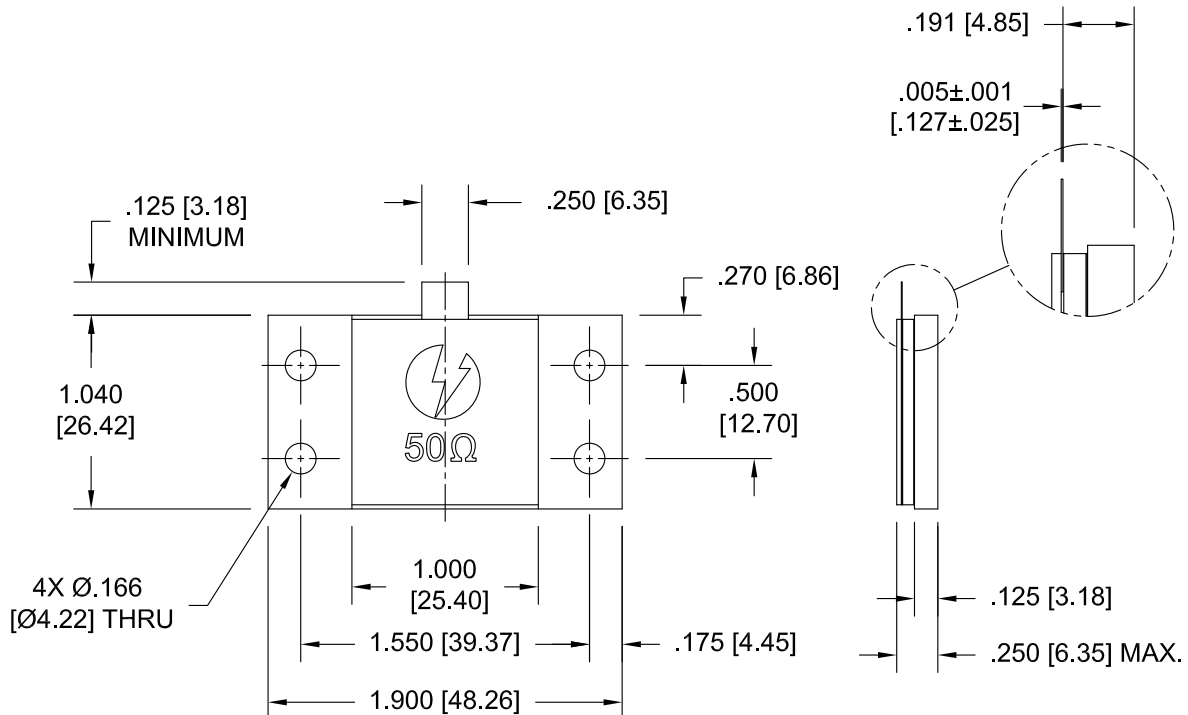
Substrate _____ Aluminum Nitride
 Resistor Material _____ Proprietary Thin Film
 Cover _____ Alumina Ceramic
 Flange _____ Nickel Plated Copper
 Tab _____ Gold Plated Beryllium Copper



*Mounting Surface Shall not Exceed 100°C Max.

Model Number: ANT1900-600-50R0J Shown

Tolerance: .XXX = ± 0.10



HOW TO ORDER

Model Number: ANT1900-600-XXXXY

Ohm Value	Tolerance
50R0 = 50 Ohms	G = $\pm 2\%$
1000 = 100 Ohms	J = $\pm 5\%$
(Other Values Available)	

Note: Dimensions in Brackets are Expressed in Millimeters and are for Reference Only.

Design specifications are subject to change without notice.