

# TERMINATION CHIP

**DC - 3 GHz  
100 WATTS**



MODELS: KAC250-375AZ-50R0G

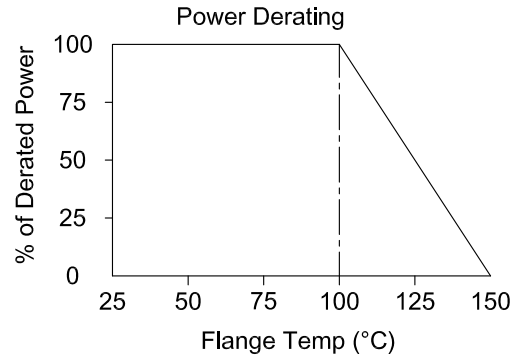
## SPECIFICATIONS:

### Electrical:

Frequency Range \_\_\_\_\_ DC - 3.0 GHz  
 Impedance \_\_\_\_\_ 50 ±2% Ohms Standard  
 Power Handling\* \_\_\_\_\_ 100 Watts Average  
 \_\_\_\_\_ Derated Linearly to 0 Watts @ +150°C  
 VSWR \_\_\_\_\_ 1.25:1 Max.  
 Operating Temp. Range \_\_\_\_\_ -55°C to +150°C

### Mechanical:

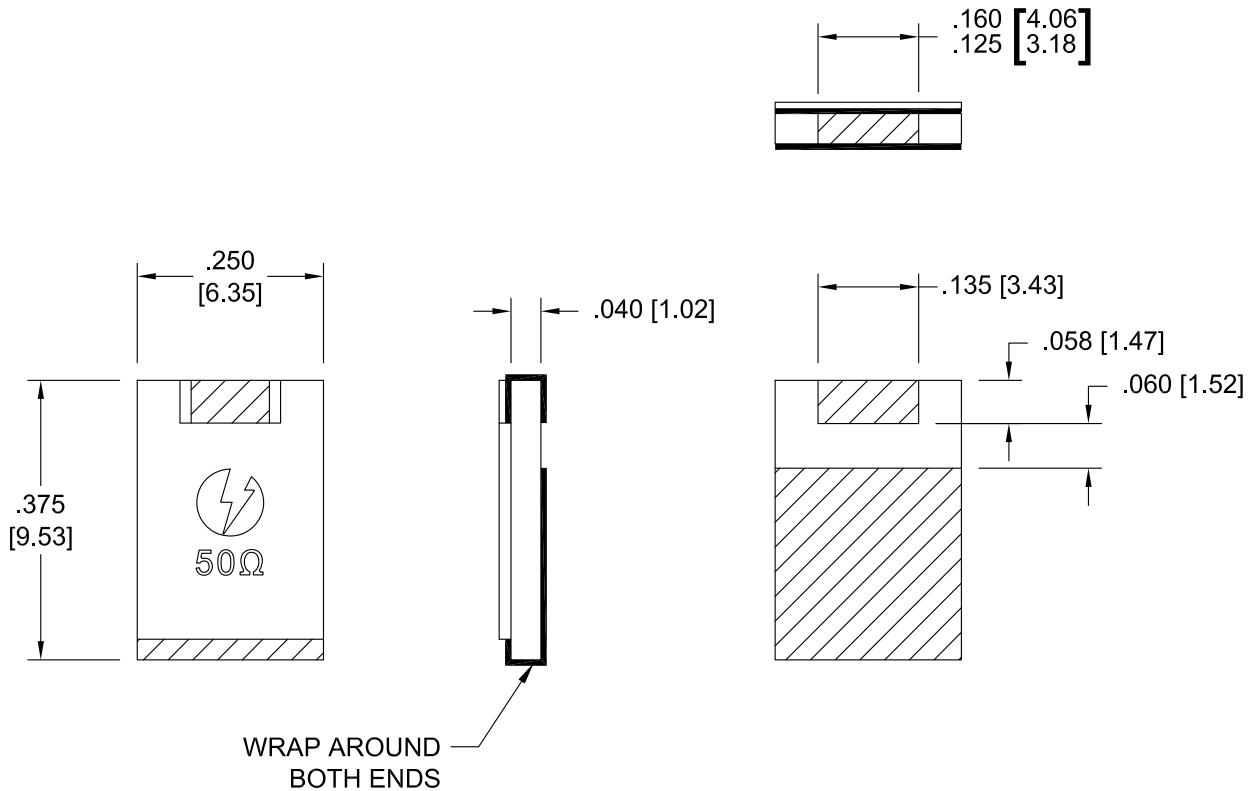
Substrate \_\_\_\_\_ Aluminum Nitride  
 Resistor Material \_\_\_\_\_ Proprietary Thick Film  
 Terminal Finish \_\_\_\_\_ Silver



\*Mounting Surface Shall not Exceed 100°C Max. for 100% Power Rating to Apply. See Derating Chart for Mounting Surfaces above 100°C.

Model Number: KAC250-375AZ-50R0G

Tolerance: .XXX = ±.010



Dimensions are for substrate only and do not include terminal thickness or optional tinning thickness.

Note: Dimensions in Brackets are Expressed in Millimeters and are for Reference Only.

Design specifications are subject to change without notice.