

ATTENUATOR FLANGED

**DC - 4 GHz
20 WATTS**



MODELS: PPA20-X

SPECIFICATIONS:

Electrical:

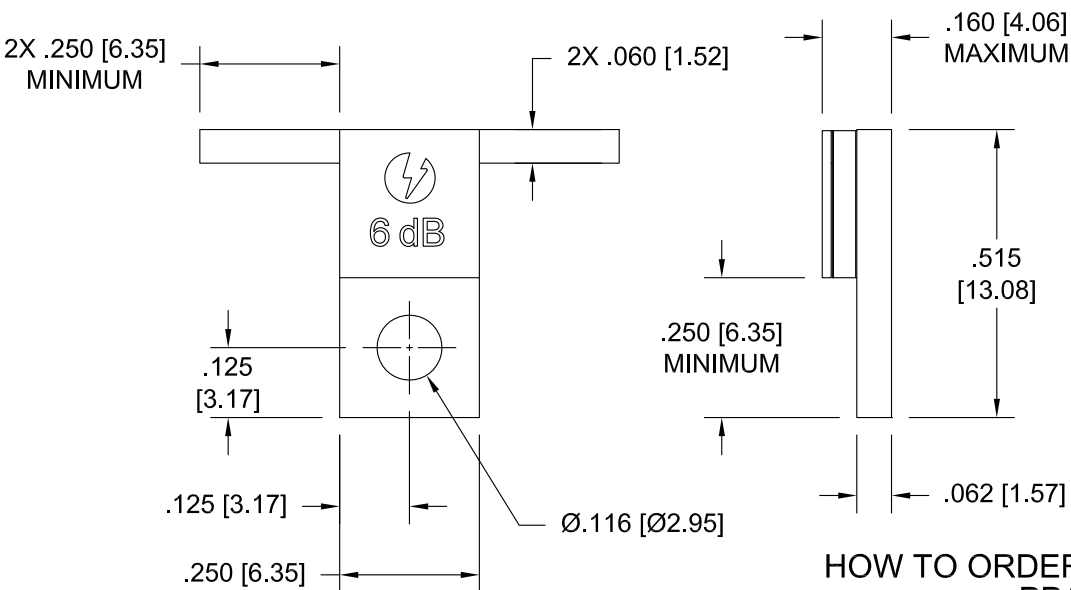
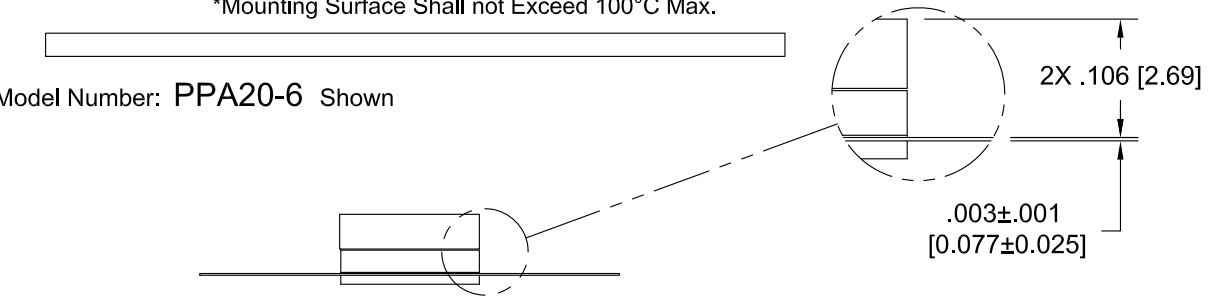
Frequency Range _____ DC - 4 GHz
 Atten. Accuracy ___ DC - 1 GHz ___ 1 - 2.5 GHz ___ 2.5 - 4 GHz
 1 - 5 dB ___ ±0.5 dB ___ ±0.5 dB ___ ±0.5 dB
 6 - 9 dB ___ ±0.5 dB ___ ±0.5 dB ___ ±1.0 dB
 10 - 12 dB ___ ±0.75 dB ___ ±1.0 dB ___ ±1.5 dB
 20 dB ___ ±1.0 dB ___ ±2.0 dB ___ ±3.0 dB
 Impedance _____ 50 Ohms
 Power Handling* _____ 20 Watts Max.
 VSWR
 DC - 1.0 GHz _____ 1.15:1 Max.
 1.0 - 2.5 GHz _____ 1.35:1 Max.
 2.5 - 4.0 GHz _____ 1.50:1 Max.
 Operating Temp. Range _____ -55°C to +150°C

Mechanical:

Substrate _____ Beryllium Oxide
 Resistor Material _____ Proprietary Thin Film
 Cover _____ Alumina Ceramic
 Flange _____ Nickel Plated Copper
 Tab _____ Gold Plated Beryllium Copper

*Mounting Surface Shall not Exceed 100°C Max.

Model Number: PPA20-6 Shown



Tolerance: .XXX = ±.010

HOW TO ORDER
 Model Number: PPA20-XX
 └─ dB Value

Note: Dimensions in Brackets are Expressed in Millimeters and are for Reference Only.

Design specifications are subject to change without notice.