

# TERMINATION CHIP

**DC - 3.0 GHz  
80 WATTS**



MODELS: PPC250-250BG SERIES

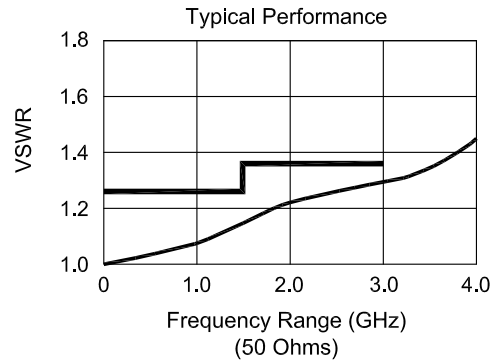
## SPECIFICATIONS:

### Electrical:

Frequency Range \_\_\_\_\_ DC - 3 GHz  
 Impedance \_\_\_\_\_ 50 ±5% Ohms Standard  
 Power (C/W)\* \_\_\_\_\_ 80 Watts Average  
 \_\_\_\_\_ Derated Linearly to 0 Watts @ +150°C  
 VSWR (50 ohm Terminations)  
 DC - 1.5 GHz \_\_\_\_\_ 1.25:1 Max.  
 1.5 - 3.0 GHz \_\_\_\_\_ 1.35:1 Max.  
 Operating Temp. Range \_\_\_\_\_ -55°C to +150°C

### Mechanical:

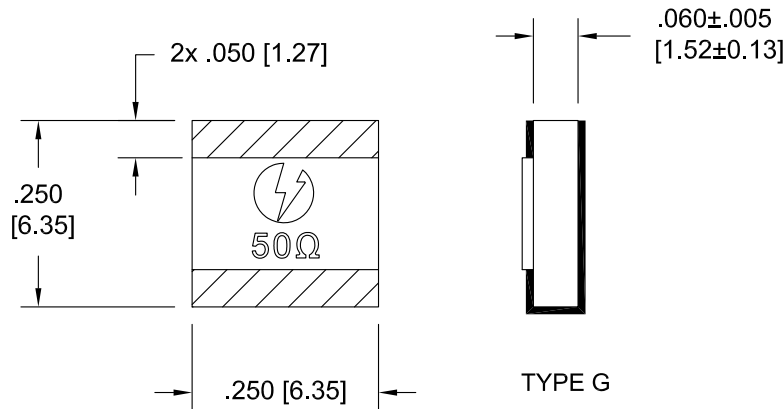
Substrate \_\_\_\_\_ Beryllium Oxide  
 Resistor Material \_\_\_\_\_ Proprietary Thin Film  
 Terminal Finish \_\_\_\_\_ Silver



\*Mounting Surface Shall not Exceed 100°C Max.

Model Number: PPC250-250BG-50R0J Shown

Tolerance: .XXX = ±0.10



Dimensions are for substrate only and do not include terminal thickness or optional tinning thickness.

## HOW TO ORDER

Model Number: PPCT250-250BG-XXXXY

Terminal Options  
 = Silver  
 T = Tin Lead Solder  
 H = Lead Free Solder

Tolerance  
 G = ±2%  
 J = ±5%

Terminal Type  
 G = One end wrap around

Ohm Value (Other values available)  
 50R0 = 50 Ohms  
 1000 = 100 Ohms

Note: Dimensions in Brackets are Expressed in Millimeters and are for Reference Only.

Design specifications are subject to change without notice.