

# TERMINATION SURFACE MOUNT

**DC - 7 GHz  
75 WATTS**



MODELS: PPC250-250BG1-XXXXY

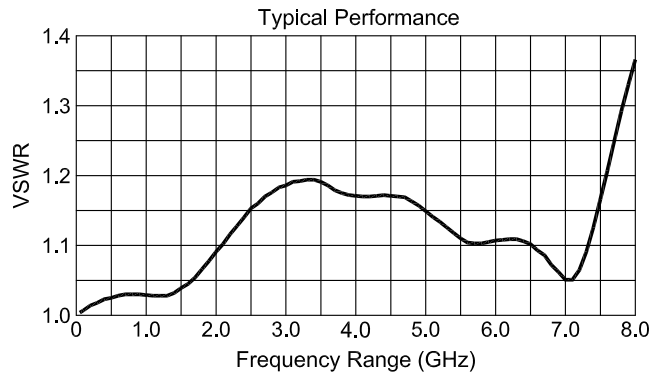
## SPECIFICATIONS:

### Electrical:

Frequency Range \_\_\_\_\_ DC - 7 GHz  
 Ohm Value \_\_\_\_\_ 50  $\pm$ 5% Ohms (Standard)  
 Power Handling\* \_\_\_\_\_ 75 Watts Average  
 Derated Linearly to 0 Watts @ +150°C  
 VSWR \_\_\_\_\_ 1.25:1 Max.  
 Operating Temp. Range \_\_\_\_\_ -55°C to +150°C

### Mechanical:

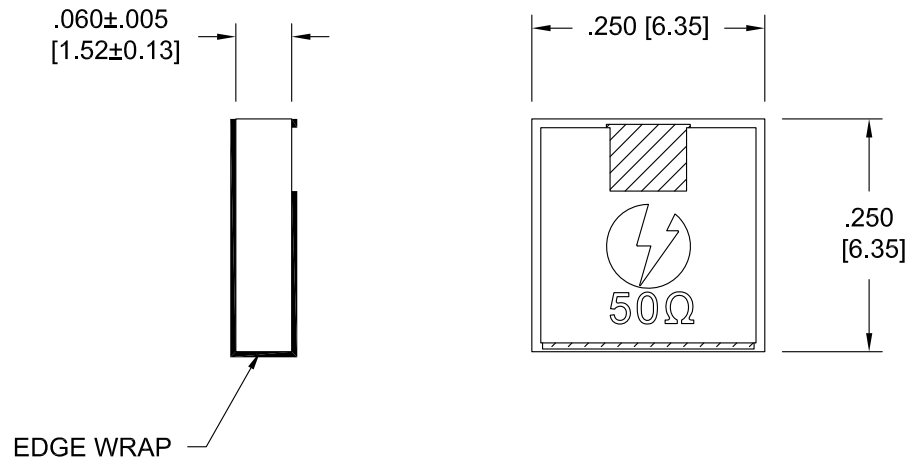
Substrate \_\_\_\_\_ Beryllium Oxide  
 Resistor Material \_\_\_\_\_ Proprietary Thin Film  
 Terminal Finish \_\_\_\_\_ Silver



\*Mounting Surface Shall not Exceed 100°C Max.

Model Number: PPC250-250BG1-50R0J Shown

Tolerance: .XXX =  $\pm$ .010



## HOW TO ORDER

Model Number: PPC250-250BG1-XXXXY

Ohm Value	Tolerance
50R0 = 50 Ohms	G = $\pm$ 2%
1000 = 100 Ohms	J = $\pm$ 5%
(Other Values Available)	

Note: Dimensions in Brackets are Expressed in Millimeters and are for Reference Only.

Design specifications are subject to change without notice.