

# RESISTOR CHIP

## DC - 1 GHz HIGH POWER



MODELS: PPC375-375AG SERIES

### SPECIFICATIONS:

*Electrical:*

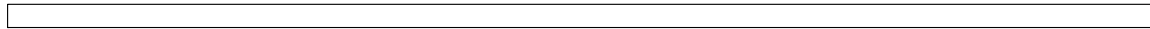
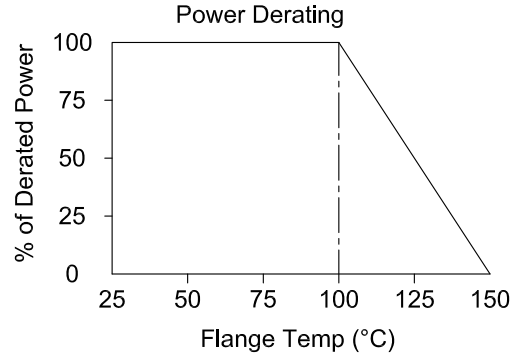
Frequency Range \_\_\_\_\_ DC - 1 GHz  
 Impedance \_\_\_\_\_ 50 & 100  $\pm$ 5% Ohms (Standard)  
 Power Handling (C/W)\* \_\_\_\_\_ 250 Watts Avg.  
 \_\_\_\_\_ Derated Linearly to 0 Watts @ +150°C

VSWR (50 Ohm only)  
 DC - 500 MHz \_\_\_\_\_ 1.25:1 Max.  
 500 - 750 MHz \_\_\_\_\_ 1.35:1 Max.  
 750 MHz - 1 GHz \_\_\_\_\_ 1.50:1 Max.

*Mechanical:*

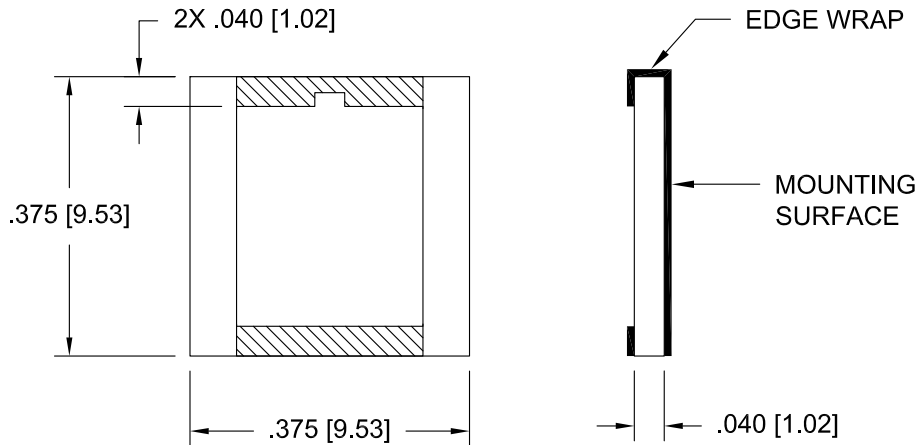
Substrate \_\_\_\_\_ Beryllium Oxide  
 Resistor Material \_\_\_\_\_ Proprietary Thin Film  
 Terminal Finish \_\_\_\_\_ Silver

\*Mounting Surface Shall not Exceed 100°C Max.



Model Number: PPC375-375AG-50R0J Shown

Tolerance: .XXX =  $\pm$ .010



TYPE G

### HOW TO ORDER:

Model Number: PPCT375-375AG-XXXXY

Terminal Options  
 = Silver  
 T = Tin Lead Solder  
 H = Lead Free Solder

Tolerance  
 G = 2%  
 J = 5% (Standard)

Ohm Value (Other values available)  
 50R0 = 50 Ohms  
 1000 = 100 Ohms

Dimensions are for substrate only and do not include terminal thickness or optional tinning thickness.

Note: Dimensions in Brackets are Expressed in Millimeters and are for Reference Only.

Design specifications are subject to change without notice.