

# TERMINATION CHIP

**DC - 4 GHz  
300 WATTS**



MODELS: PPC375-375AG3-XXXXY

## SPECIFICATIONS:

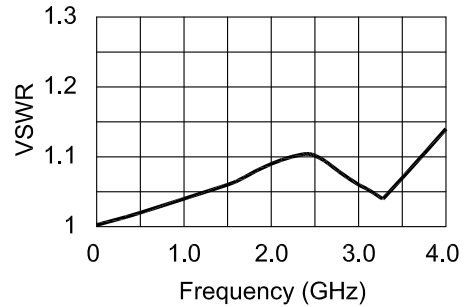
### Electrical:

Frequency Range \_\_\_\_\_ DC - 4.0 GHz  
 Ohm Value\*\* \_\_\_\_\_ 50  $\pm$ 5% Ohms Standard  
 Power Handling\* \_\_\_\_\_ 300 Watts Average  
 \_\_\_\_\_ Derated Linearly to 0 Watts @ +150°C  
 VSWR \_\_\_\_\_ 1.25:1 Max.  
 Operating Temp. Range \_\_\_\_\_ -55°C to +150°C

### Mechanical:

Substrate \_\_\_\_\_ Beryllium Oxide Ceramic  
 Resistor Material \_\_\_\_\_ Proprietary Thin Film  
 Terminal Finish \_\_\_\_\_ Silver

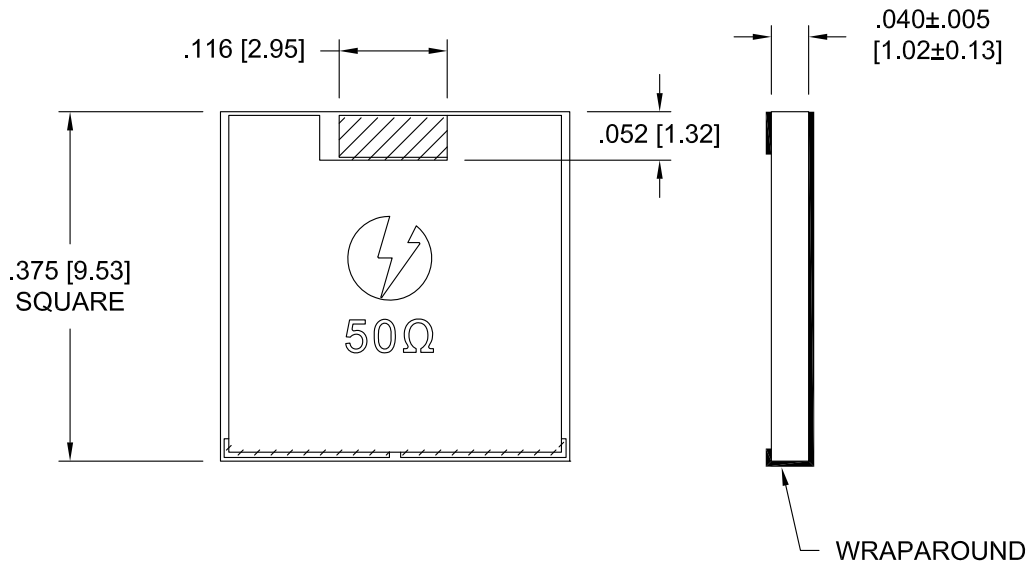
Typical Performance



\*Mounting surface shall not exceed 100°C Max.

Model Number: PPC375-375AG3-50R0G Shown

Tolerance: .XXX =  $\pm$ .010



## HOW TO ORDER

Model Number: PPC375-375AG3-XXXXY-000

\*\*Ohm Value  
 50R0 = 50 Ohms  
 1000 = 100 Ohms  
 (Other Values Available)

Tolerance  
 G =  $\pm$ 2%  
 J =  $\pm$ 5%

000 = Umarked  
 Otherwise marked as shown

Note: Dimensions in Brackets are Expressed in Millimeters and are for Reference Only.

Design specifications are subject to change without notice.