

TERMINATION FLANGED

DC - 400 MHz 400 WATTS



MODELS: PPT1250-400-XXXXY

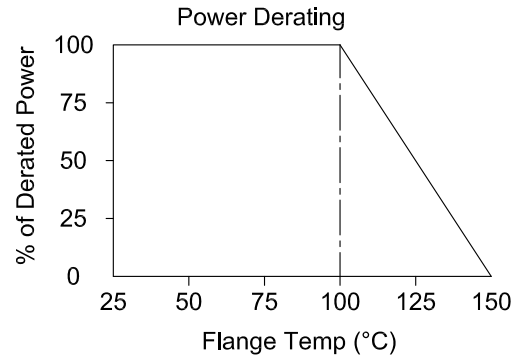
SPECIFICATIONS:

Electrical:

Frequency Range _____ DC - 400 MHz
 Impedance _____ 50 ±5% Ohms (Standard)
 VSWR _____ 1.50:1 Typical
 Power Handling* _____ 400 Watt Avg.
 Derated Linearly to 0 Watts @ +150°C
 Operating Temp. Range _____ -55°C to +150°C

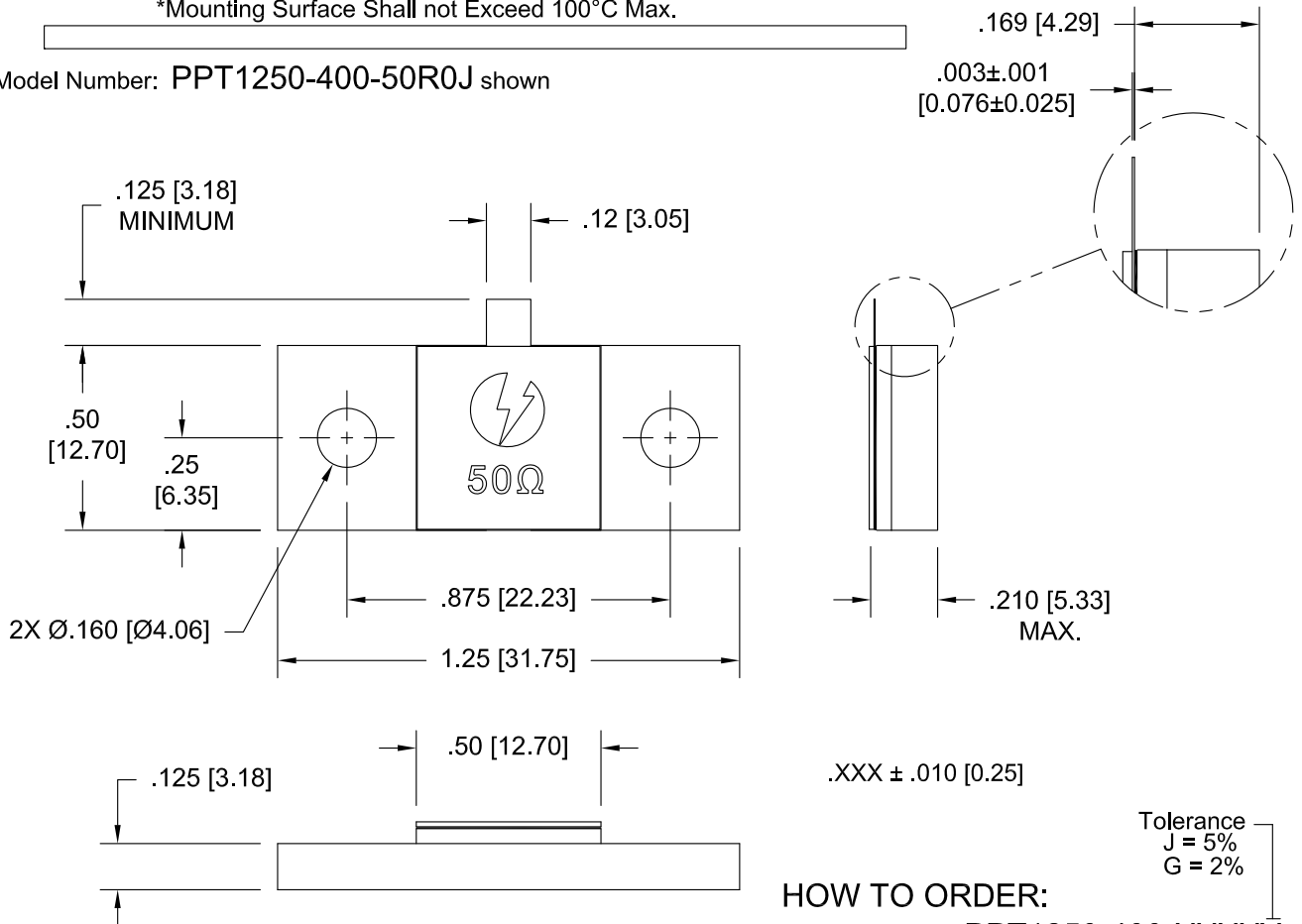
Mechanical:

Substrate _____ Beryllium Oxide
 Resistor Material _____ Proprietary Thin Film
 Cover _____ Alumina Ceramic
 Mounting Flange _____ Nickel Plated Copper
 Tab _____ Gold Plated Beryllium Copper



*Mounting Surface Shall not Exceed 100°C Max.

Model Number: PPT1250-400-50R0J shown



Tolerance
J = 5%
G = 2%

HOW TO ORDER:

Model Number: PPT1250-400-XXXXY

Ohm Value
 50R0 = 50 Ohms
 1000 = 100 Ohms
 (Other Values Available)

Note: Dimensions in Brackets are Expressed in Millimeters and are for Reference Only.
 Design specifications are subject to change without notice.
 Contact factory for technical specifications before purchasing or use.