

TERMINATION FLANGED

DC - 2 GHz 100 WATTS



MODELS: PPT800-100A-XXXXY

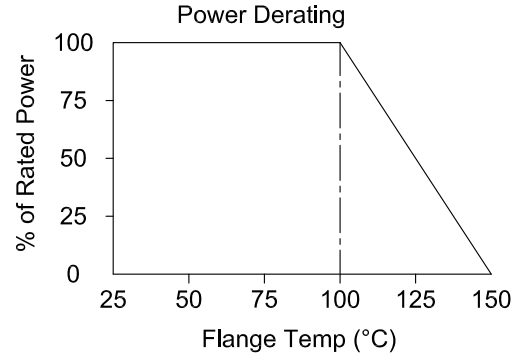
SPECIFICATIONS:

Electrical:

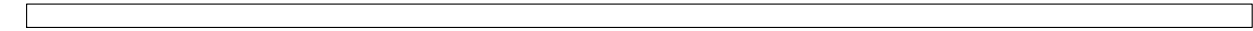
Frequency Range _____ DC - 2 GHz
 VSWR _____ 1.25:1 Maximum
 Impedance _____ 50 & 100 ±5% Standard
 Power Handling* _____ 100 Watt Avg.
 _____ Derated Linearly to 0 Watts @ +150° C
 Operating Temp. Range _____ -55°C to +150°C

Mechanical:

Substrate _____ Beryllium Oxide
 Resistor Material _____ Proprietary Thin Film
 Cover _____ Alumina Ceramic
 Flange _____ Nickel Plated Copper
 Tab _____ Gold Plated Beryllium Copper

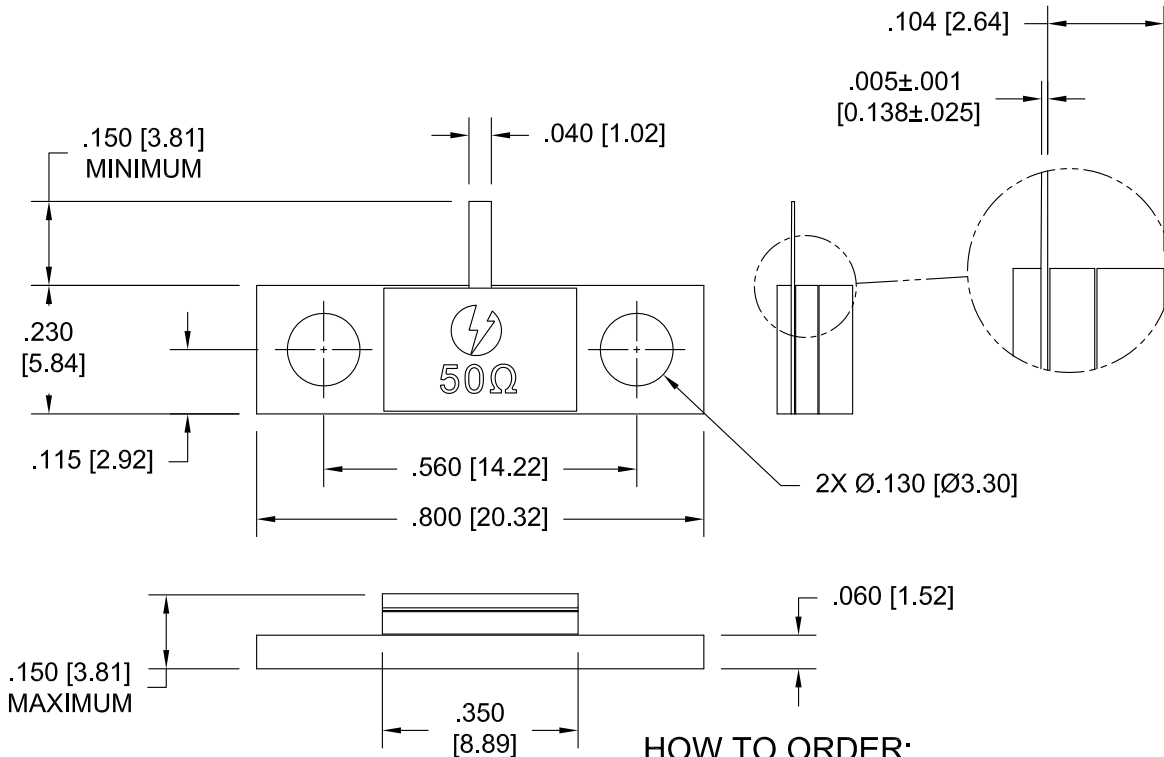


*Mounting Surface Shall not Exceed 100°C Max.



Model Number: PPT800-100A-50R0J Shown

TOLERANCE: .XXX ± .010



HOW TO ORDER:

Model Number: PPT800-100A-XXXXY

Ohm Value _____ Tolerance
 50R0 = 50 Ohms G = 2%
 1000 = 100 Ohms J = 5%
 (Other values available)

Note: Dimensions in Brackets are Expressed in Millimeters and are for Reference Only.
 Design specifications are subject to change without notice.
 Contact factory for technical specifications before purchasing or use.