

# TERMINATION FLANGED

**DC - 1 GHz  
250 WATTS**



MODELS: PPT975-250-3-XXXXY

## SPECIFICATIONS:

### Electrical:

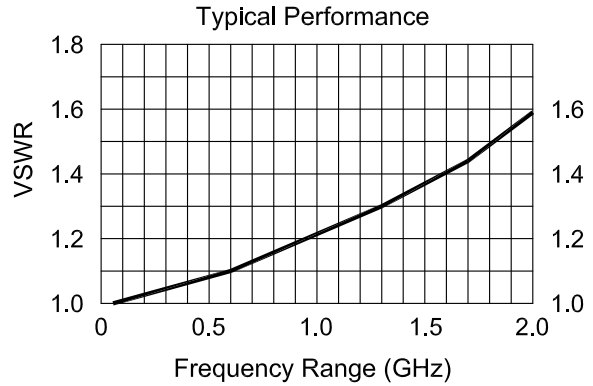
Frequency Range \_\_\_\_\_ DC - 1 GHz  
 Impedance \_\_\_\_\_ 50 ±5% Ohms (Standard)  
 Power Handling\* \_\_\_\_\_ 250 Watts Average  
 Derated Linearly to 0 Watts @ +150°C

### VSWR

DC - 500 MHz \_\_\_\_\_ 1.25:1 Max.  
 500 MHz - 1 GHz \_\_\_\_\_ 1.35:1 Max.  
 Operating Temp. Range \_\_\_\_\_ -55°C to +150°C

### Mechanical:

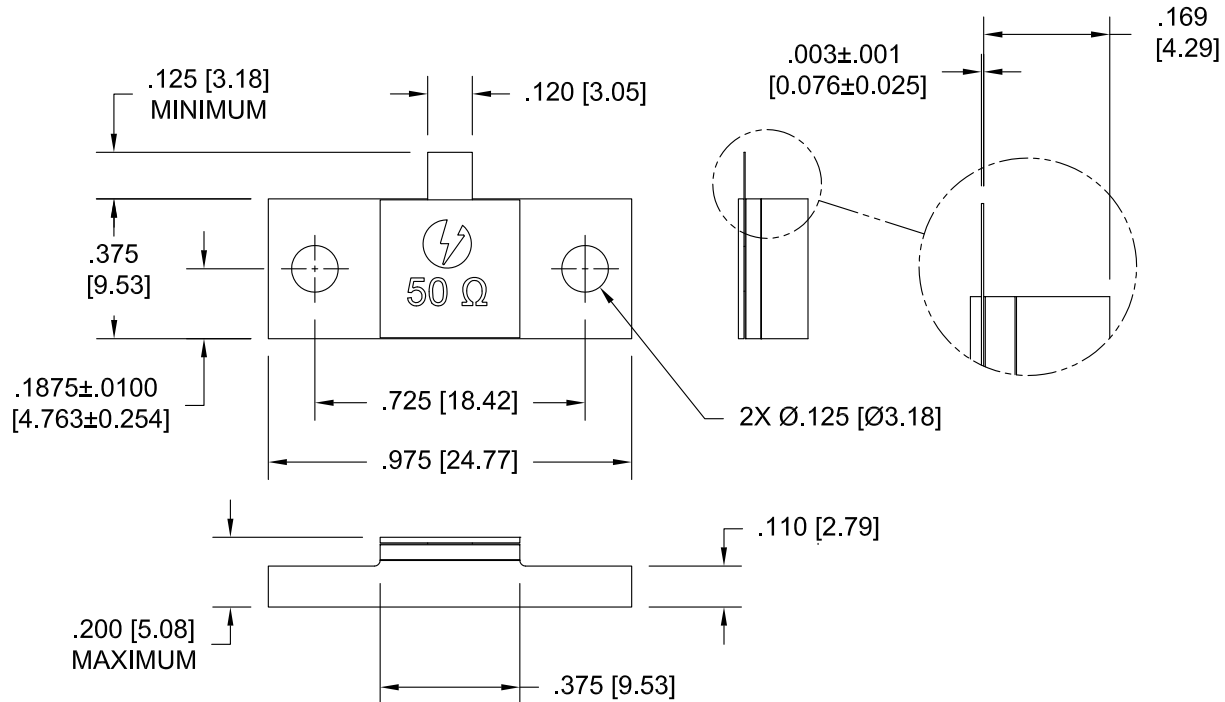
Substrate \_\_\_\_\_ Beryllium Oxide  
 Resistor Material \_\_\_\_\_ Proprietary Thin Film  
 Cover \_\_\_\_\_ Alumina Ceramic  
 Flange \_\_\_\_\_ Nickel Plated Copper  
 Tab \_\_\_\_\_ Gold Plated Beryllium Copper



\*Mounting Surface Shall not Exceed 100°C Max.

Model Number: PPT975-250-3-50R0J Shown

TOLERANCE: XXX = ±.010



## HOW TO ORDER

Model Number: PPT975-250-3-XXXXY

Ohm Value	Tolerance
50R0 = 50 Ohms	G = ±2%
1000 = 100 Ohms	J = ±5%
(Other Values Available)	

Note: Dimensions in Brackets are Expressed in Millimeters and are for Reference Only.

Design specifications are subject to change without notice.