

TERMINATION FLANGED

**DC - 4 GHz
300 WATTS**



MODELS: PPT975-300-XXXXY

SPECIFICATIONS:

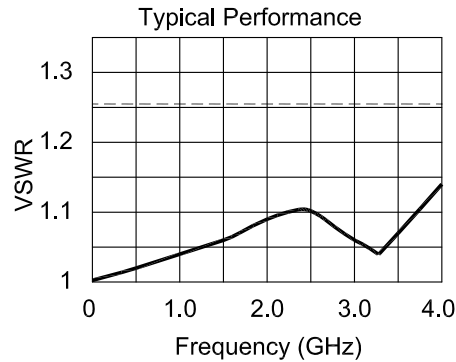
Electrical:

Frequency Range _____ DC - 4 GHz
 Ohm Value** _____ 50 ±5% Ohms Standard
 Power Handling* _____ 300 Watts Average
 Derated Linearly to 0 Watts @ +150°C
 VSWR _____ 1.25:1 Max.
 Operating Temp. Range _____ -55°C to +150°C

Mechanical:

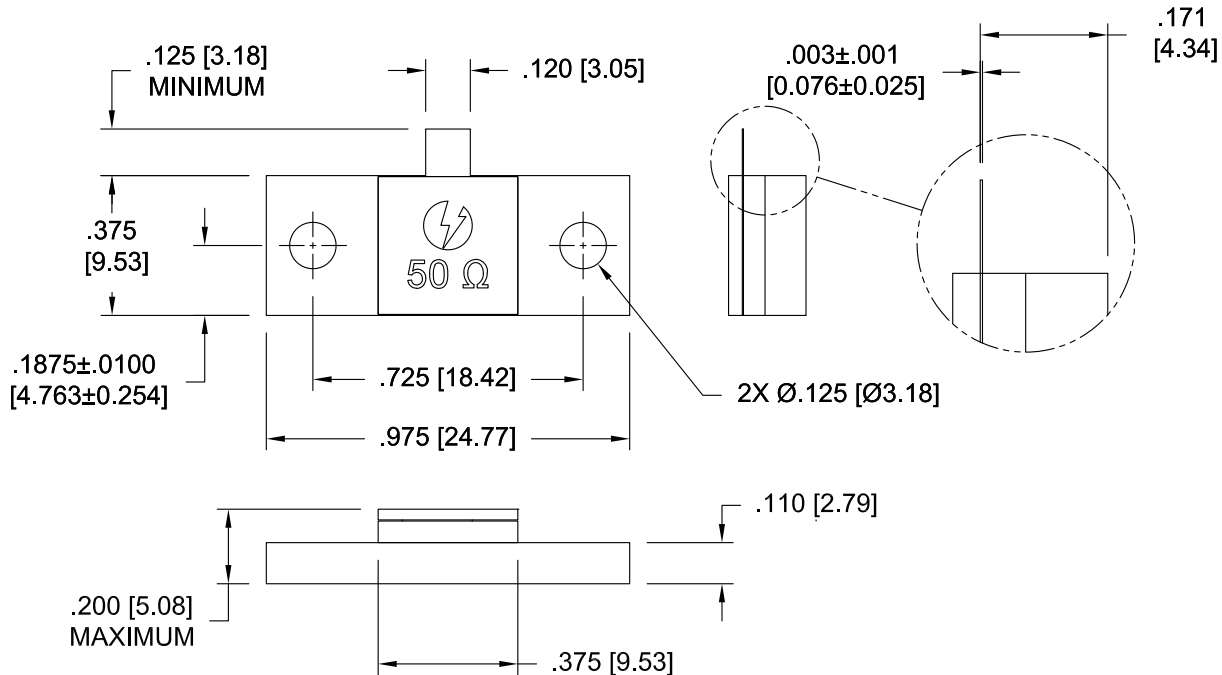
Substrate _____ Beryllium Oxide
 Resistor Material _____ Proprietary Thin Film
 Cover _____ Alumina Ceramic
 Flange _____ Nickel Plated Copper
 Tab _____ Gold Plated Beryllium Copper

*Mounting Surface Shall not Exceed 100°C Max.



Model Number: PPT975-300-50R0J Shown

Tolerance: .XXX = ±.010



HOW TO ORDER

Model Number: PPT975-300-XXXXY

**Ohm Value Tolerance
 50R0 = 50 Ohms G = ±2%
 1000 = 100 Ohms J = ±5%
 (Other Values Available)

Note: Dimensions in Brackets are Expressed in Millimeters and are for Reference Only.

Design specifications are subject to change without notice.