

ATTENUATOR CHIP

**DC - 12.4 GHz
PCA**



MODELS: PCA-X, PCA-TX, PCA-HX, PCA-GX

SPECIFICATIONS:

Electrical:

Frequency Range _____ DC - 12.4 GHz
 Nominal Impedance _____ 50 Ohms
 Standard dB Values _____ 0 thru 20 dB
 Attenuation Accuracy (dB)

dB Value	DC-4 GHz	4-8 GHz	8-12.4 GHz
0	+0.5/-0	+0.5/-0	+0.5/-0
1-6	±0.5	±0.5	±0.5
7-10	±0.5	±0.5	±0.75
11-15	±0.75	+0.5/-3	+0.5/-4
16-20	±1.00	+0.5/-4	

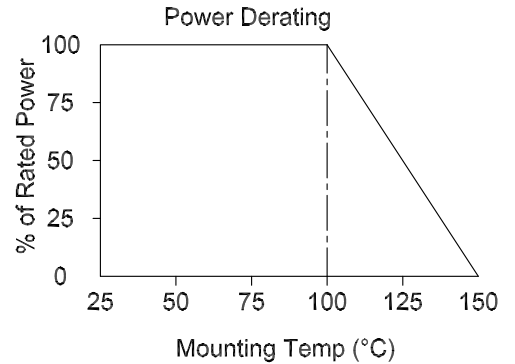
VSWR

DC - 4 GHz _____ 1.25:1 Max.
 4 - 8 GHz _____ 1.35:1 Max.
 8 - 12.4 GHz _____ 1.50:1 Max.
 Rated Power (20dB Value) _____ 1.5 W Avg.
 dB Value Specific

Attenuation Stability _____ 0.0001 dB/dB/°C
 Operating Temp. Range _____ -55°C to +150°C

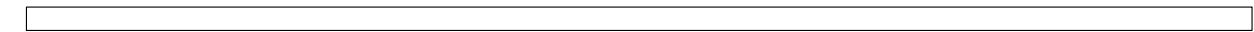
Mechanical:

Substrate _____ Alumina
 Solderable Terminals _____ Electroplated Silver over Nickel
 See "How to Order" for Tinning & other options



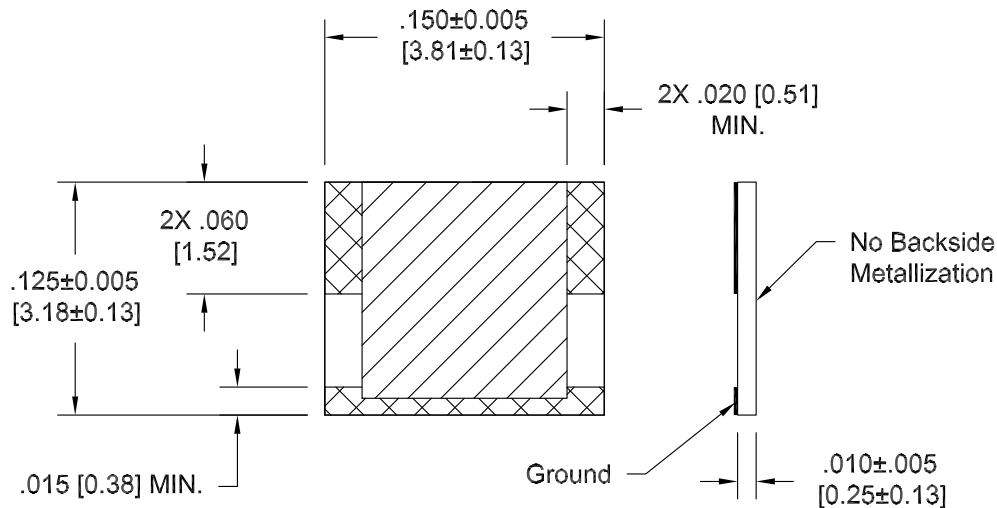
HOW TO ORDER:

Model Number: **PCA-YX**
 Terminal Options _____
 = Silver over Nickel
 T = Tin Lead Solder
 H = Lead Free Solder
 G = Gold Plated
 dB Value _____



Model Number: **PCA-YX**

TOLERANCE .XXX = ±.010



Note: Dimensions in Brackets are Expressed in Millimeters and are for Reference Only.
 Design specifications are subject to change without notice.
 Contact factory for technical specifications before purchasing or use.