

TERMINATION CHIP

**DC - 2 GHz
250 WATTS**



MODELS: PPC375-375AG2-XXXXY

SPECIFICATIONS:

Electrical:

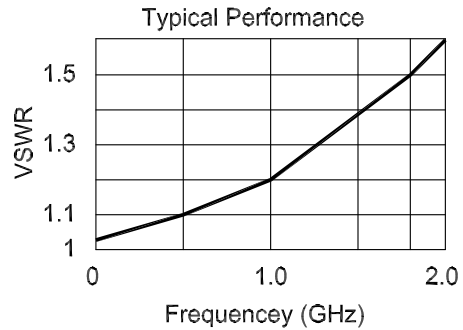
Frequency Range _____ DC - 2.0 GHz
 Ohm Value _____ 50 ±5% Ohms (Standard)
 Power Handling* _____ 250 Watts Average
 Derated Linearly to 0 Watts @ +150°C

VSWR

DC-500 MHz _____ 1.25:1 Max.
 500 MHz - 1 GHz _____ 1.35:1 Max.
 1 - 1.8 GHz _____ 1.50:1 Max.

Mechanical:

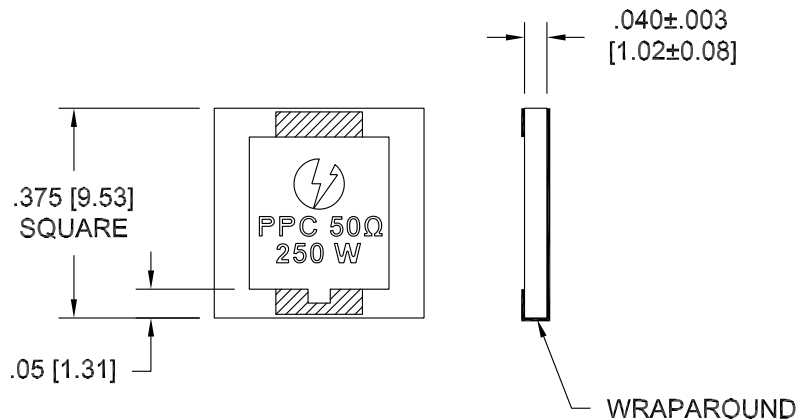
Substrate _____ Beryllium Oxide
 Resistor Material _____ Proprietary Thin Film
 Terminal Finish _____ Silver



*Assumes 100°C Max. temperature of Mounting Surface

Model Number: PPC375-375AG2-XXXXY

Tolerance: .XXX = ±.010



HOW TO ORDER

Model Number: PPC375-375AG2-XXXXY

Ohm Value _____ Tolerance _____
 50R0 = 50 Ohms G = ±2%
 1000 = 100 Ohms J = ±5%
 (Other Values Available)

Note: Dimensions in Brackets are Expressed in Millimeters and are for Reference Only.

Design specifications are subject to change without notice.