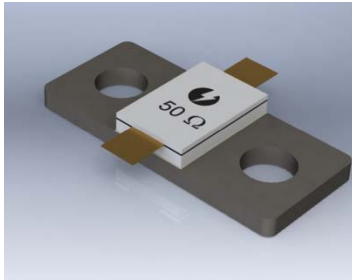


Resistor, Flanged

Power: 150 Watts



Features

- Integrated Heat sink
- Thin Film Resistor
- Tabbed Contact
- High Power

PPR870-150-3 series Resistor are designed to dissipate up to 150 watts of RF power. These flange resistives are integrated on .870" x .375" heat sink and are used in Isolators, Attenuators and Power Dividers. Standard models of PPR870-150-3 have Resistance values of 50 and 100 ohm with 5% tolerance, but other values are available upon request.

Technical Specifications

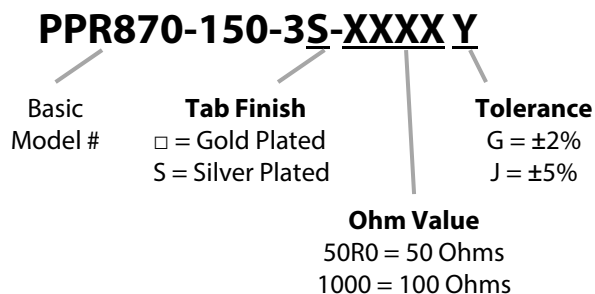
Parameter	Value
Frequency Range	DC – 1 GHz
Resistance	50 ±5% Ohms (standard)
Power Handling*	150 Watts average Derated Linearly to 0 Watts @ +150°C
Operating Temp Range	-55°C to +150°C

Material

Feature	Material
Substrate	Beryllium Oxide
Resistor Material	Proprietary Thin Film
Cover	Alumina Ceramic
Flange	Nickel Plated Copper
Tab	Gold Plated Beryllium Copper

*Mounting surfaces shall not exceed 100°C. Max.

How to Order

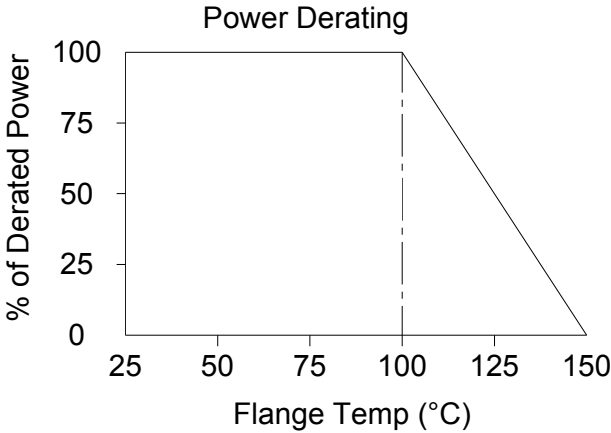


Ordering Examples

Model Number: PPR870-150-3-50R0J
50 ohm, ±5%

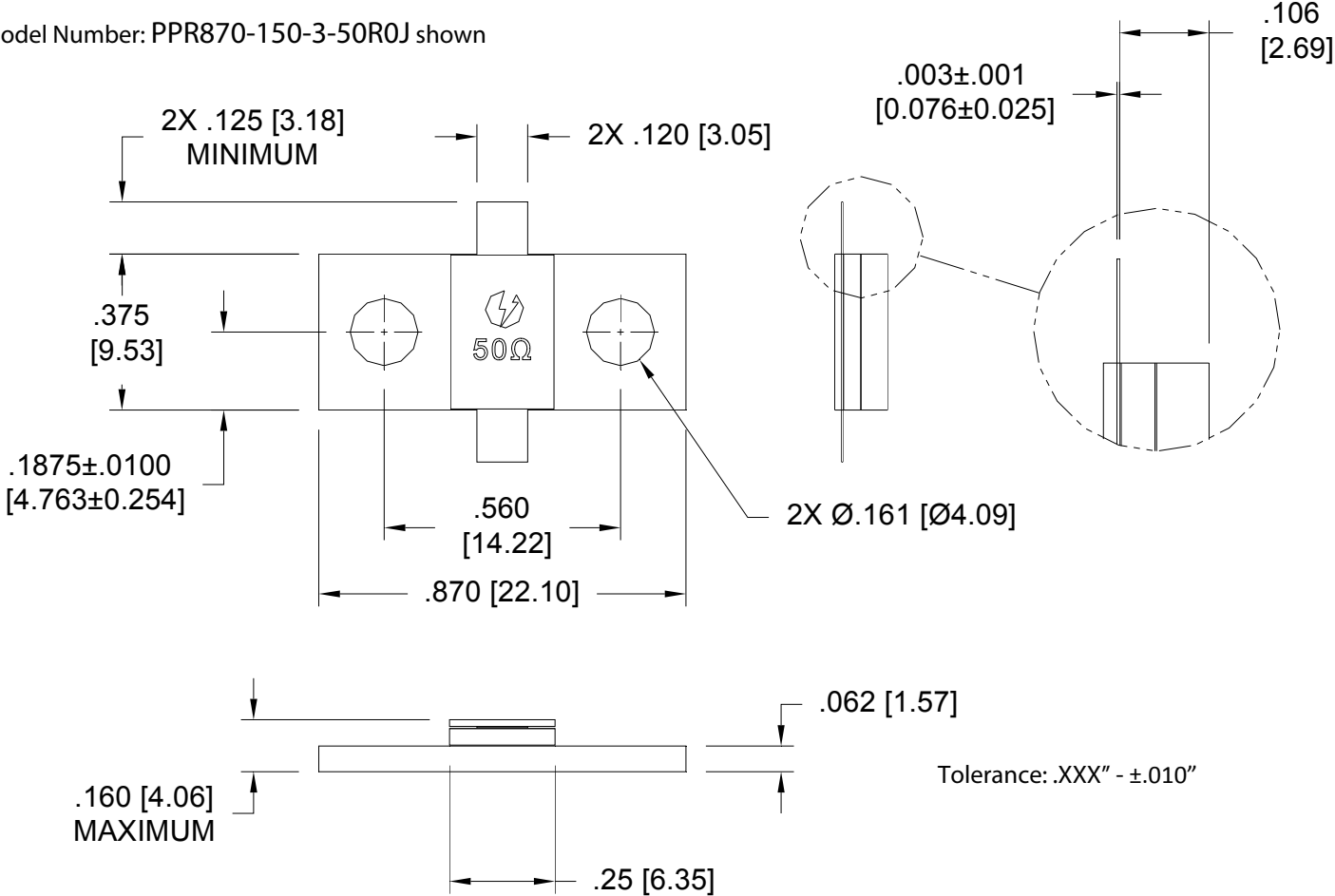
Model Number: PPR870-150-3S-2000G
200 ohm, ±2%, Silver Plated Tab

Performance Characteristics



Physical Dimensions

Model Number: PPR870-150-3-50R0J shown



Note: Dimensions in Brackets [] are expressed in Millimeters and are for reference only