

TERMINATION FLANGED

**DC - 1.0 GHz
150 WATTS**



MODELS: PPT870-150-3-XXXXX

SPECIFICATIONS:

Electrical:

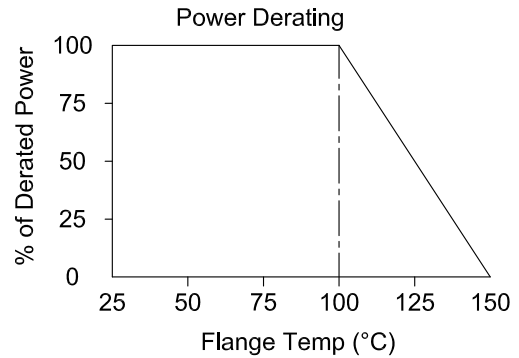
Frequency Range _____ DC - 1.0 GHz
 Impedance _____ 50 ±5% Ohms (Standard)
 Power Handling* _____ 150 Watts Average
 Derated Linearly to 0 Watts @ +150°C

VSWR

DC - 500 MHz _____ 1.20:1 Max.
 500 MHz - 1 GHz _____ 1.35:1 Max.
 Operating Temp. Range _____ -55°C to +150°C

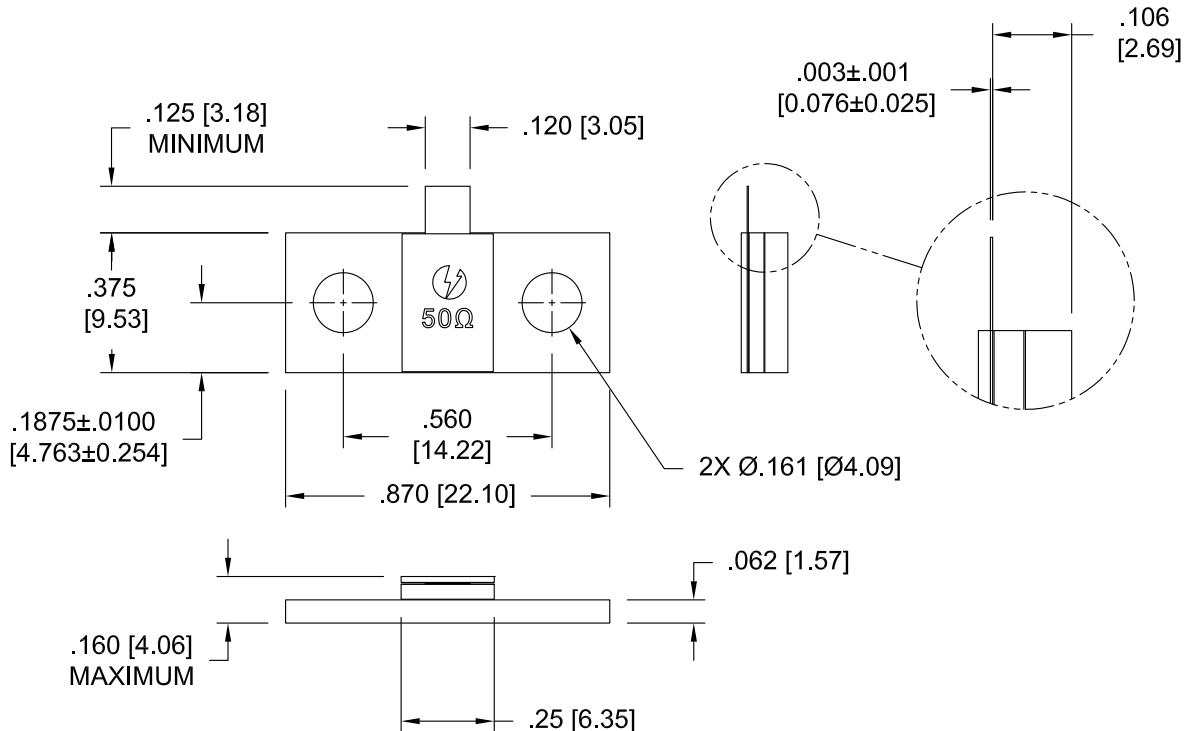
Mechanical:

Substrate _____ Beryllium Oxide
 Resistor Material _____ Proprietary Thin Film
 Cover _____ Alumina Ceramic
 Flange _____ Nickel Plated Copper
 Tab _____ Gold Plated Beryllium Copper



*Mounting Surface Shall not Exceed 100°C Max.

Model Number: PPT870-150-3-50R0J Shown Tolerance: .XXX = ±.010



HOW TO ORDER

Model Number: PPT870-150-3-XXXXY

Ohm Value	Tolerance
50R0 = 50 Ohms	G = ±2%
1000 = 100 Ohms	J = ±5%
(Other Values Available)	

Note: Dimensions in Brackets are Expressed in Millimeters and are for Reference Only.

Design specifications are subject to change without notice.