

Model 8390 & 8390-1 Amplifier / Switch Units



Features

- /// Provides a flexible, easy to program, low cost solution for your bench test/calibration setups and subsystem applications.
- /// Choice of Frequency Ranges.:
 - Model 8390: 3.4 to 4.2 GHz
 - Model 8390-1: 0.95 to 13 GHz
- /// Designed to interface with industry standard communication interfaces:
 - RS-232 / Serial
 - Ethernet Control (10/100 BaseT)
- /// Can be rack mounted into any rack or cabinet designed per EIA RS-310 or MIL-STD-189.

Description

API / Weinschel's Models 8390 and 8390-1, Amplifier / Switch Unit is comprised of an eight-position terminating input switch (S1), an RF amplifier, and a relay-based step attenuator that provides 0-103 dB of attenuation in 1dB steps. The unit includes a front-panel interface for status and control, and supports programming via a serial RS232 port and/or 10/100BaseT Ethernet port.

Specifications

Frequency Range:	Model 8390:	3.4 to 4.2 GHz
	Model 8390-1:	0.95 to 13 GHz
P1 dB INPUT:	Model 8390:	-5 dBm
	Model 8390-1:	-2.2 dBm minimum
P1 dB OUTPUT (0 dB in the ATTEN):	Model 8390:	+26.0 dBm minimum
	Model 8390-1:	+23.5 dBm minimum
VSWR:	2:1 Typical	
IMPEDANCE:	50 Ω nominal	
PATH GAIN (0 dB in the ATTEN):	Model 8390:	31.5 dBm typical
	Model 8390-1:	26.7 dB minimum
CONTROL INTERFACE:	Ethernet 10/100 BASE-T	
NOISE FIGURE:	Model 8390:	10.0 dB Typical (0 dB ATTEN. state)
	Model 8390-1:	10.0 dB Typical (0 dB ATTEN. state)
ATTENUATION. RANGE:	Model 8390:	103 dB / 1 dB steps
	Model 8390-1:	31 dB / 1 dB steps
TEMPERATURE RANGE:	0 TO +50°C	
INPUT POWER:	115 to 230 Vac, 50/60 Hz	
WEIGHT:	TBA	

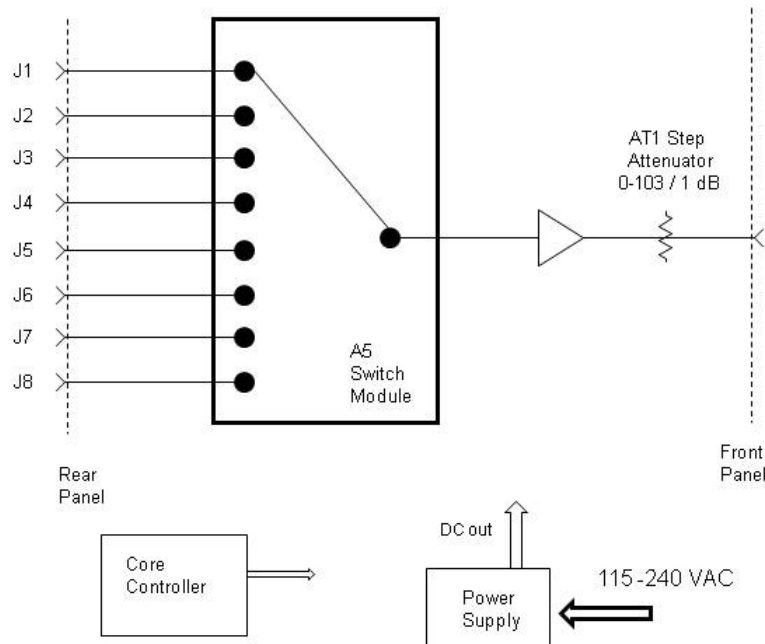


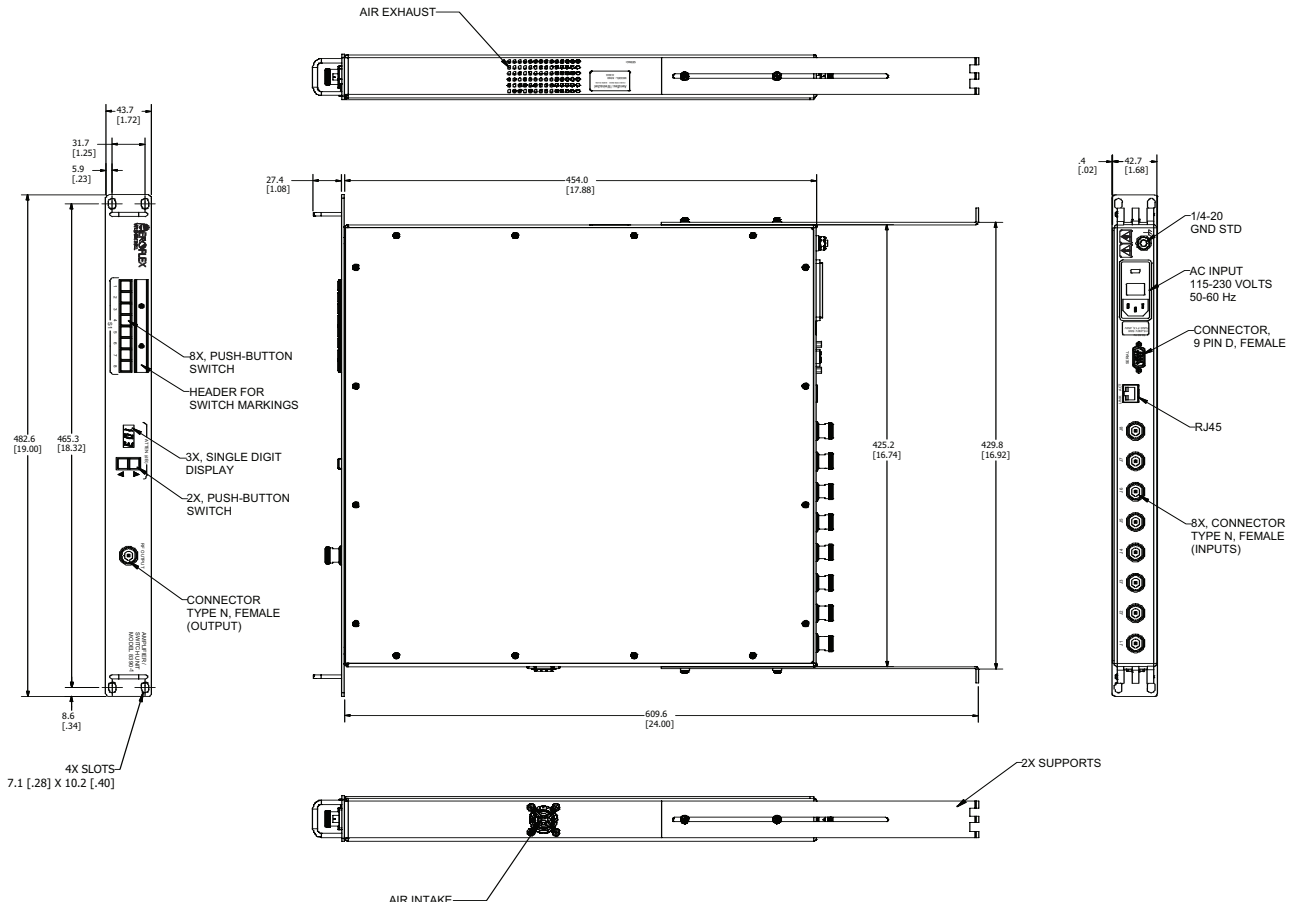
Figure 1. Model 8390 & 8390-1 System Block Diagram



technologies corp.
> WEINSCHEL

PHYSICAL DIMENSIONS

Subsystems & Accessories



NOTE: All dimensions are given in mm (inches) and are maximum, unless otherwise specified.

EXPORT CONTROL:

This product is controlled for export under the International Traffic in Arms Regulations (ITAR). A license from the U.S. Department of State is required prior to the export of this product from the United States.

EXPORT WARNING:

Aeroflex's military and space products are controlled for export under the International Traffic in Arms Regulations (ITAR) and may not be sold or proposed or offered for sale to certain countries. (See ITAR 126.1 for complete information.)