

High Power Termination– 100 Watts, DC – 18.0 GHz

Connectors - Type N, 3.5 mm



Features

- Designed to meet environmental requirements of MIL-DTL-3933
- Rugged connector design
- Low intermodulation (LIM) option
- 1 Kilowatt peak power
- Usable to 20 GHz

Technical Specifications

Nominal Impedance	50 Ω
Frequency Range	DC to 18.0 GHz
Maximum SWR	
Frequency	SWR
DC – 12.4 GHz	1.15
12.4 – 18.0 GHz	1.20
Power Rating	
<ul style="list-style-type: none"> - 100 W average, at 25°C ambient. - Derated to 10 Watts at 125°C - 1 KW peak @ 5 μs pulse width & 1.25 % duty cycle. 	
Temperature Range	-55°C to 125°C
Reflected Passive Intermodulation (PIM) Level	
Maximum 3 rd Order IM Magnitude (IM3)	-100 dBc
IM3 Levels	
IM3 levels tested with two input signals @ 869 & 891 MHz with average carrier power levels of +43 dBm each.	

Mechanical Specifications

Construction	Black finned, aluminum alloy body; stainless steel connector; gold plated beryllium copper contacts	
Weight	420 grams (14.8 oz) maximum	
Connectors		
Options	Type	Description
1	3.5 mm Female	Mate nondestructively with SMA, 3.5 mm & SMK, connectors.
2	3.5 mm Male	
3	N Female	Interface dimensions per MIL-STD 348 & IEC 60169-16. Mates non-destructively with MIL-PRF-39012 connector.
4	N Male	

TEST DATA

Swept SWR plots from 50 MHz to 18 GHz are available upon request.

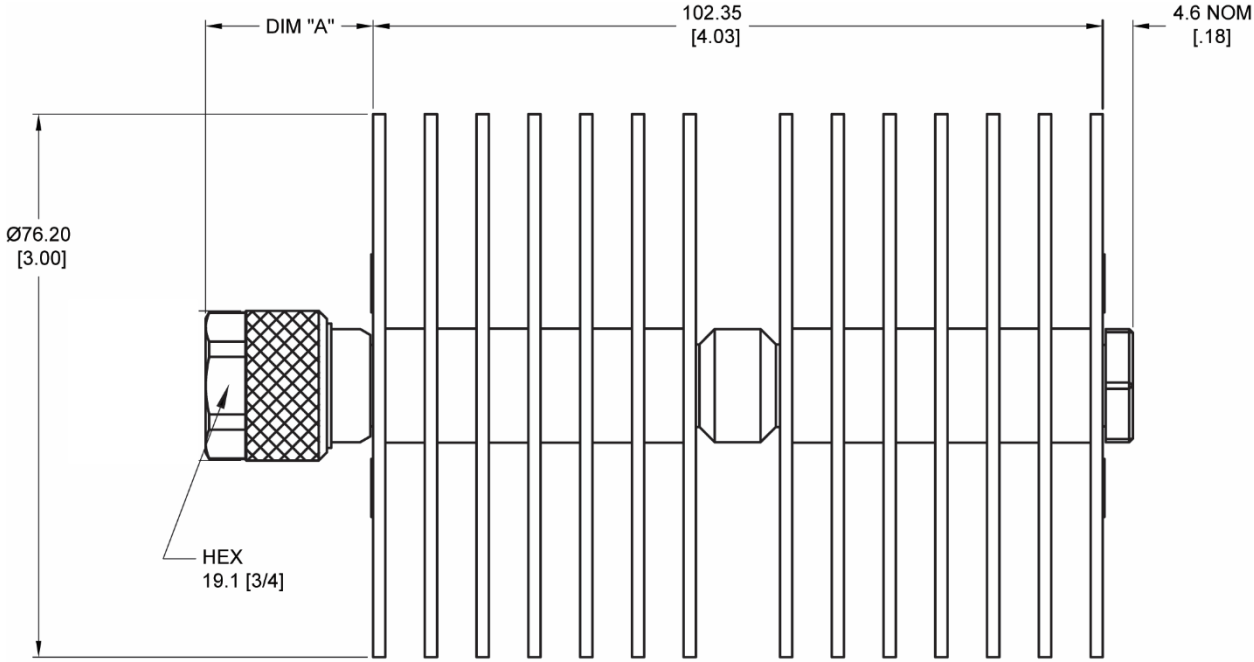
Model Number Description

1469A – X – LIM



* Add –LIM to entire model number for Low Intermodulation option.

Physical Dimensions



TYPE N MALE SHOWN

Connector Dimensions			
Connector Option	Dim A mm (in)	Connector Option	Dim A mm (in)
N Male	24.0 (0.95)	N Female	19.0 (0.75)
3.5mm Male	14.2 (0.56)	3.5mm Female	13.2 (0.52)

NOTE: All dimensions are given in mm (inches) and are maximum, unless otherwise specified.