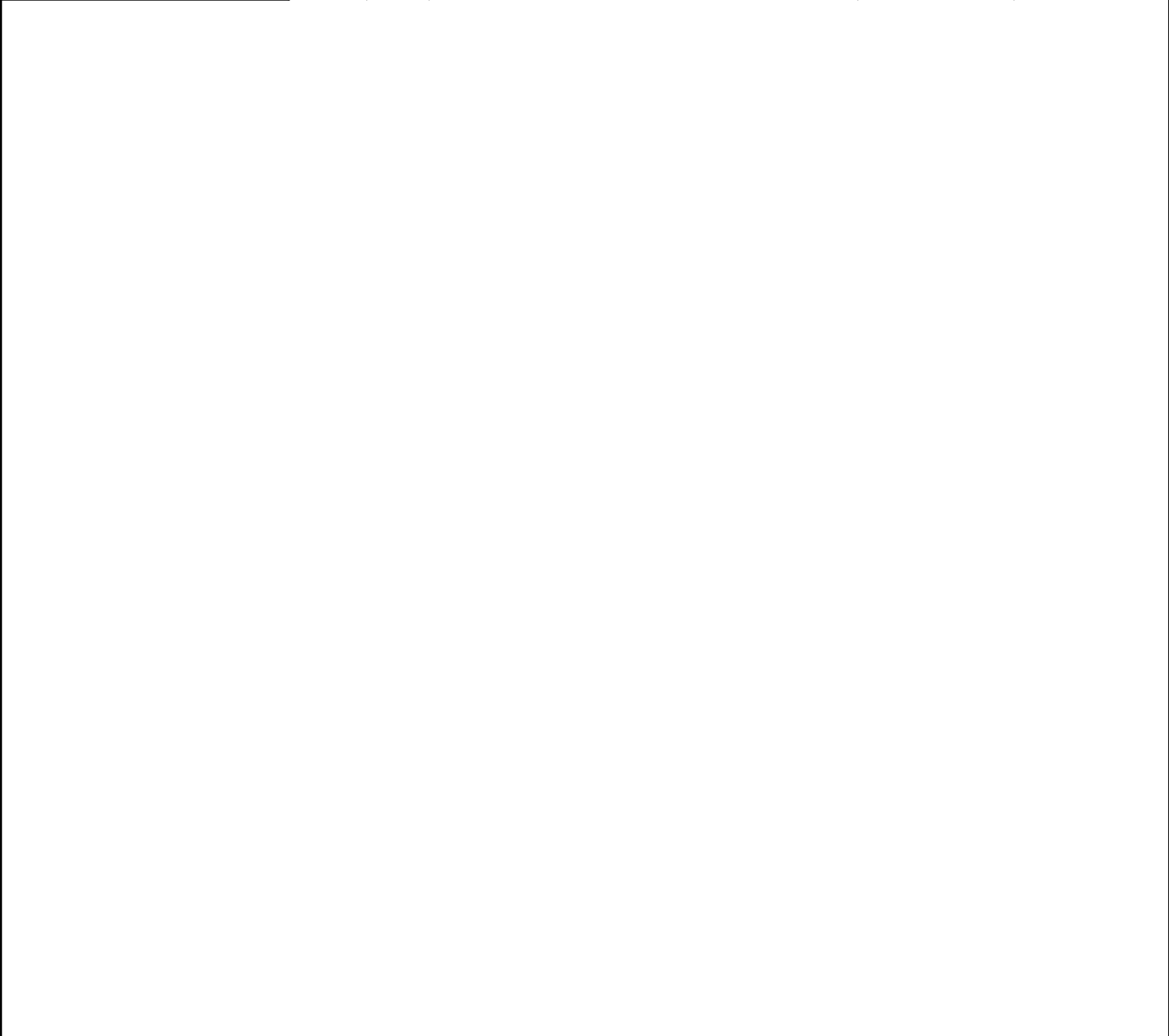


PROPRIETY NOTICE
 THIS DWG IS THE PROPERTY OF SPECTRUM MICROWAVE INC. NEITHER RECEIPT NOR POSSESSION THEREOF CONFERS OR TRANSFERS ANY RIGHT IN OR LICENSE TO USE ANY DESIGN OR TECHNICAL INFORMATION HEREON NOR ANY RIGHT TO REPRODUCE THIS DWG IN WHOLE OR IN PART WITHOUT THE WRITTEN CONSENT OF SPECTRUM MICROWAVE INC. IT IS ISSUED ONLY ON THE EXPRESS CONDITION THAT ITS TECHNICAL CONTENT WHETHER PATENTED OR NOT WILL BE RESPECTED

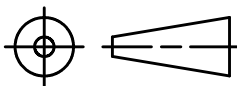
REVISIONS				
ECN	REV	DESCRIPTION	CHNG/DATE	APVD/DATE
201322	F.2	UPDATE TO NEW NUMBER	JM6/23/2009	JM6/23/2009

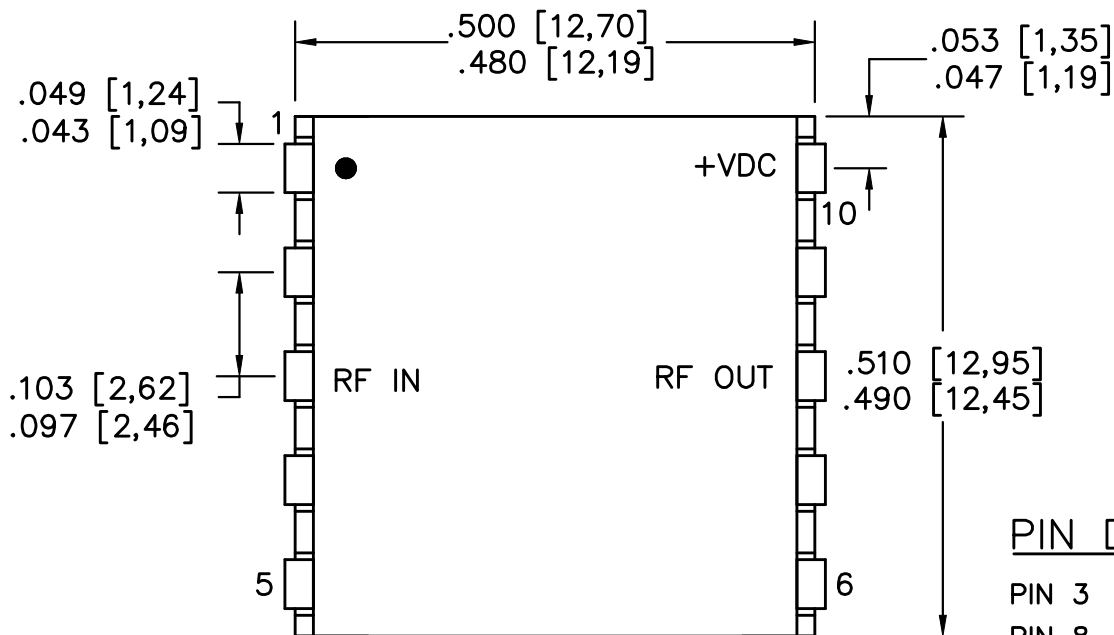


NUMBER WAS E52-19422 NO CHANGE TO FORM, FIT AND FUNCTION

TOLERANCES (INCHES)		CONTRACT NO.		SPECTRUM MICROWAVE, INC 2144 Franklin Drive N.E. Palm Bay, Florida 32905		
.XX = ± .02	X/X = ± 1/32	DRAWN	DATE			
.XXX = ± .005	X' = ± 1' 0'	M. GOSSELIN	95-10-19	OUTLINE DRAWING		
MATERIAL	PROC ENGRG	ENGRG				
		G.R. CALLAWAY	95-11-27	A	55027	080-10117-0001
FINISH	MFG	C. ROSENWALD	95-11-30	SCALE:	APPROX WT	SHEET
	QA	T. KECK	95-11-30	5/1		1 OF 3

NOTES: UNLESS OTHERWISE SPECIFIED,

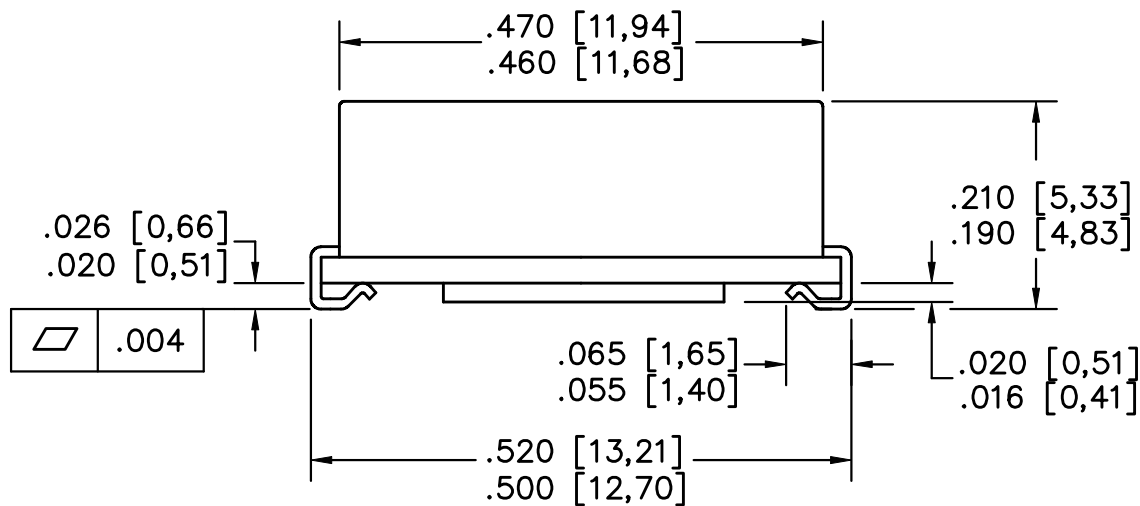
1. INTERPRET DWG PER ASME Y14.100.
2. INTERPRET THIRD ANGLE PROJECTION  (ISO-A).
3. DIMENSIONS ARE IN INCHES [MM].
4. INTERPRET DIMENSIONING SYMBOLS PER ASME Y14.5M.
5. DO NOT SCALE THIS DRAWING.
6. ALL PRINTED PATTERN TOLERANCES: ± 0.001 .
7. ALL DRILLED FEATURES: ± 0.002 .



TOP VIEW

PIN DESIGNATIONS:

- PIN 3 RF INPUT
- PIN 8 RF OUTPUT
- PIN 10 DC VOLTAGE
- ALL OTHERS GROUND



FRONT VIEW

SPECTRUM MICROWAVE, INC

SIZE

CAGE CODE

DWG NO.

TITLE

OUTLINE DRAWING

A

55027

080-10117-0001

SCALE:

5/1

REV

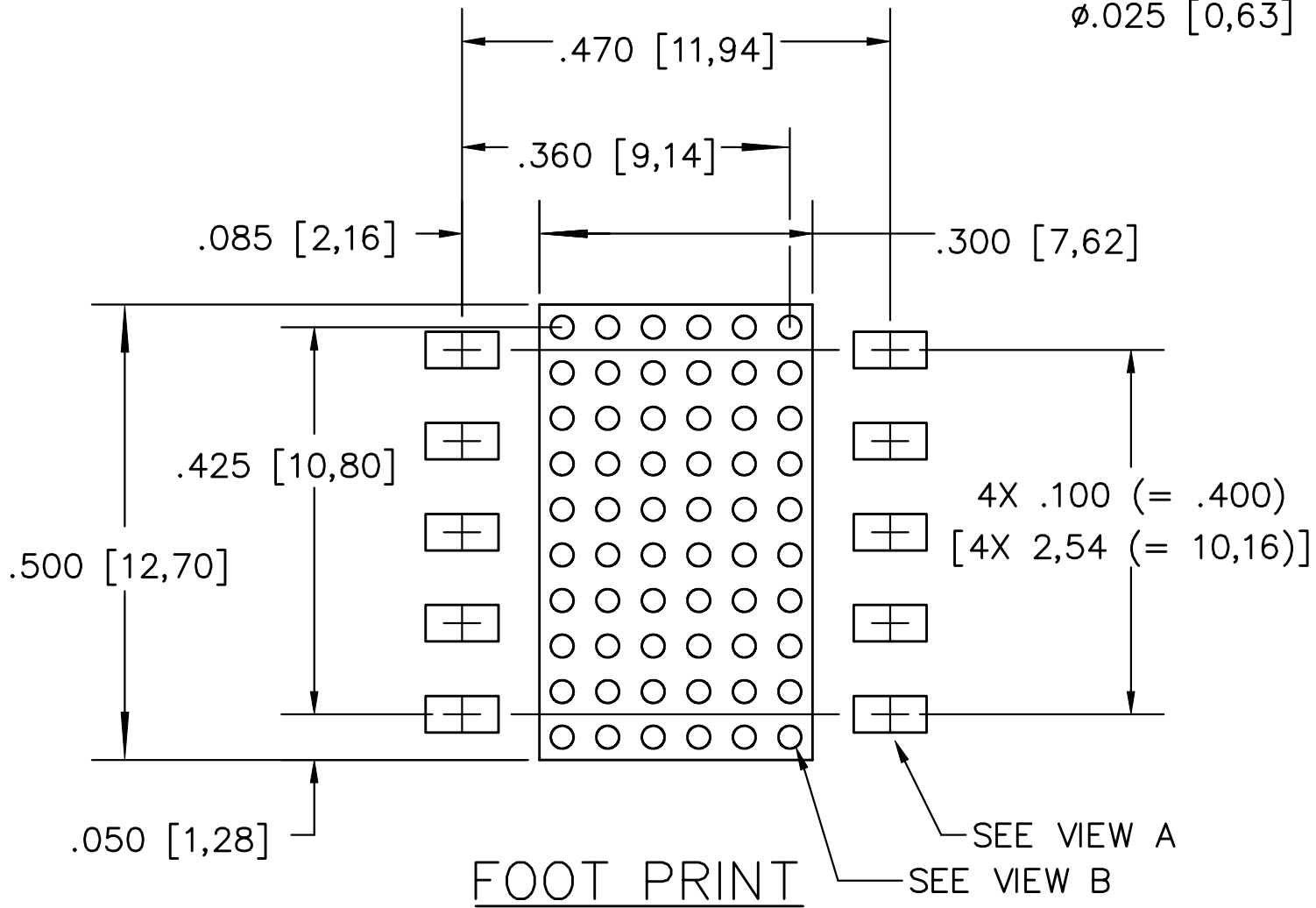
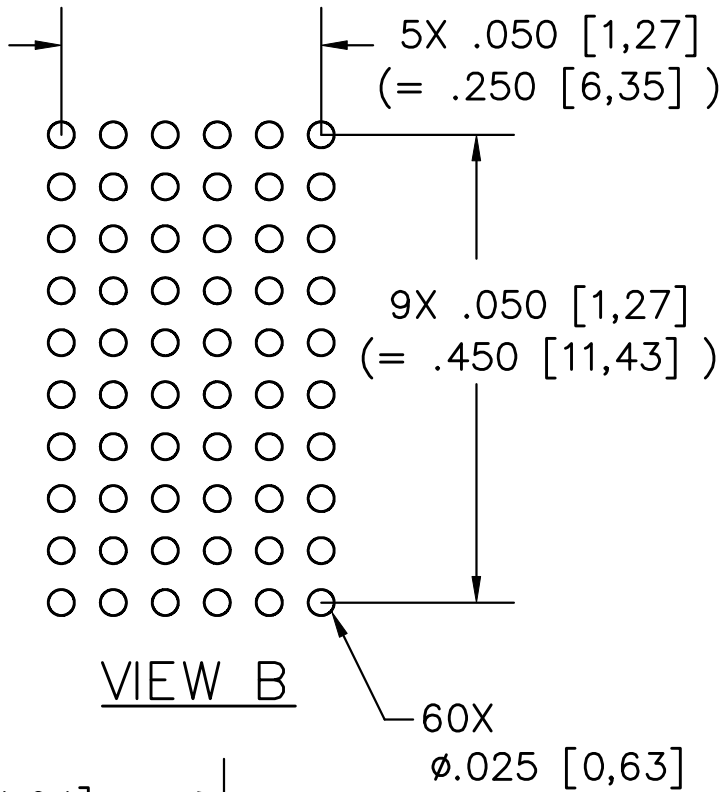
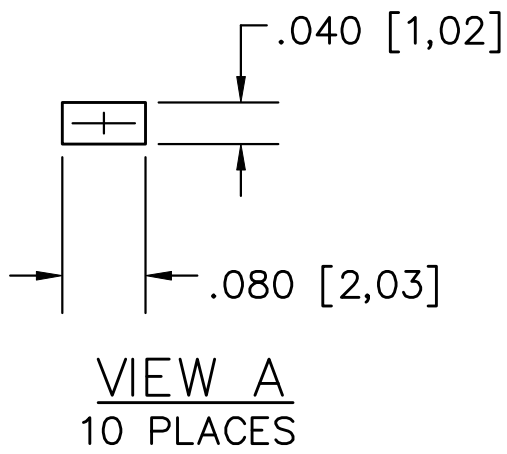
F.2

SHEET

2

OF

3



SPECTRUM MICROWAVE, INC		SIZE	CAGE CODE	DWG NO.
TITLE		A	55027	080-10117-0001
OUTLINE DRAWING		SCALE: 5/1	REV F.2	SHEET 3 OF 3