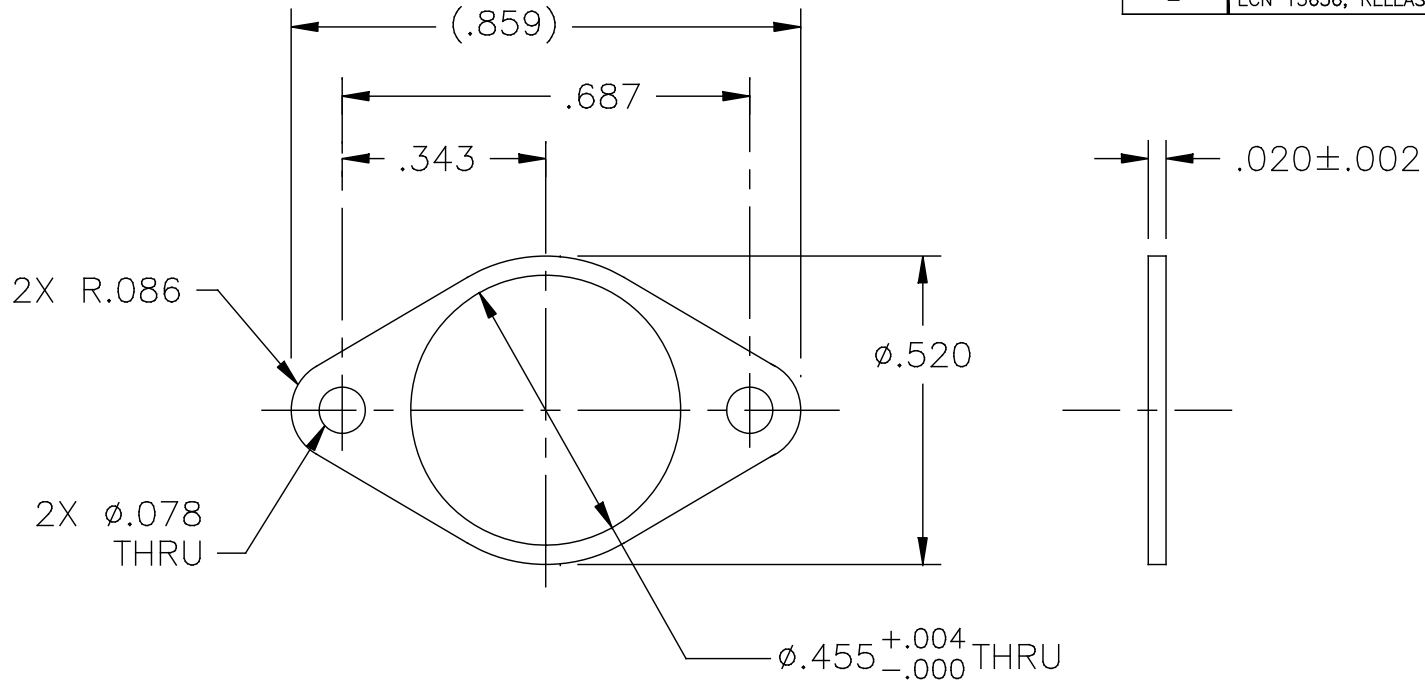


MTG34100006

REVISIONS

LTR	DESCRIPTION	DATE	APPROVED
-	ECN 13636, RELEASE	2/16/05	



MOUNTING KIT TO INCLUDE

- 2X-HWD60005031-S.S. #0-80 PAN HD SCREW X .18 LG (3/16) SLOTTED
- 2X-HWD60005037-S.S. #0 FLATWASHER
- 2X-HWD60005038-S.S. #0 SPLIT LOCKWASHER
- 2X-HWD60005039-S.S. #0-80 HEX NUT

NOTES:

- 1 - FINISH: PASSIVATE, THEN NICKEL PLATE PER AMS-C-26074, CLASS 3, GRADE B
- 2 - DIMENSIONS APPLY AFTER PLATING
- 3 - INDIVIDUAL PACKAGING IS REQUIRED

MATERIAL: S.S. TYPE 304 -	DRAWN ADAM SIDLE CHECKED	DATE 2/16/05 DATE	AMPLIFONIX 2707 BLACK LAKE PLACE, PHILADELPHIA PA. 19154
FINISH SEE NOTE 1 -	ENGINEERING MANUFACTURING	DATE DATE	
DIMENSIONS: INCHES	TOLERANCE	QUALITY	DATE
DEC. .XX +/- .01 .XXX +/- .005	ANG .X DEG	CODE IDENT NO. 60979	
			MTG 34100006
			K:\ENG\ACTLWIN\HARDWARE\MTG34100006 SHT 1 OF 1