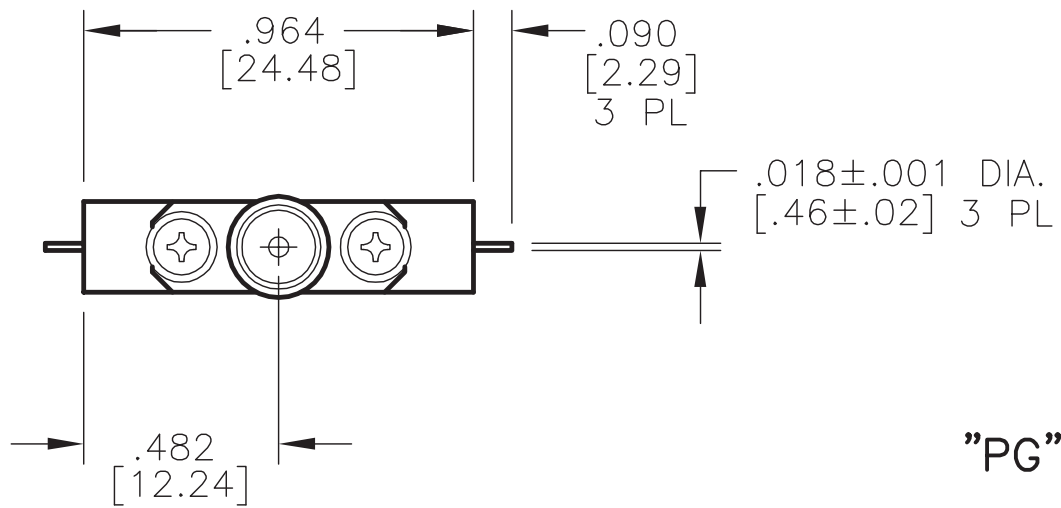
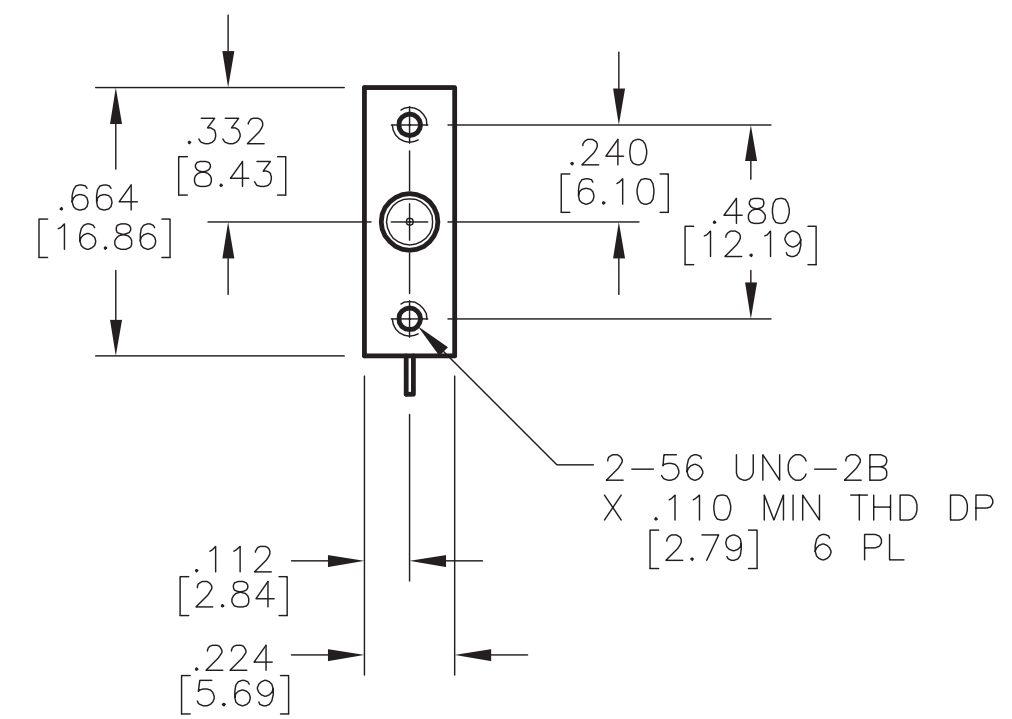
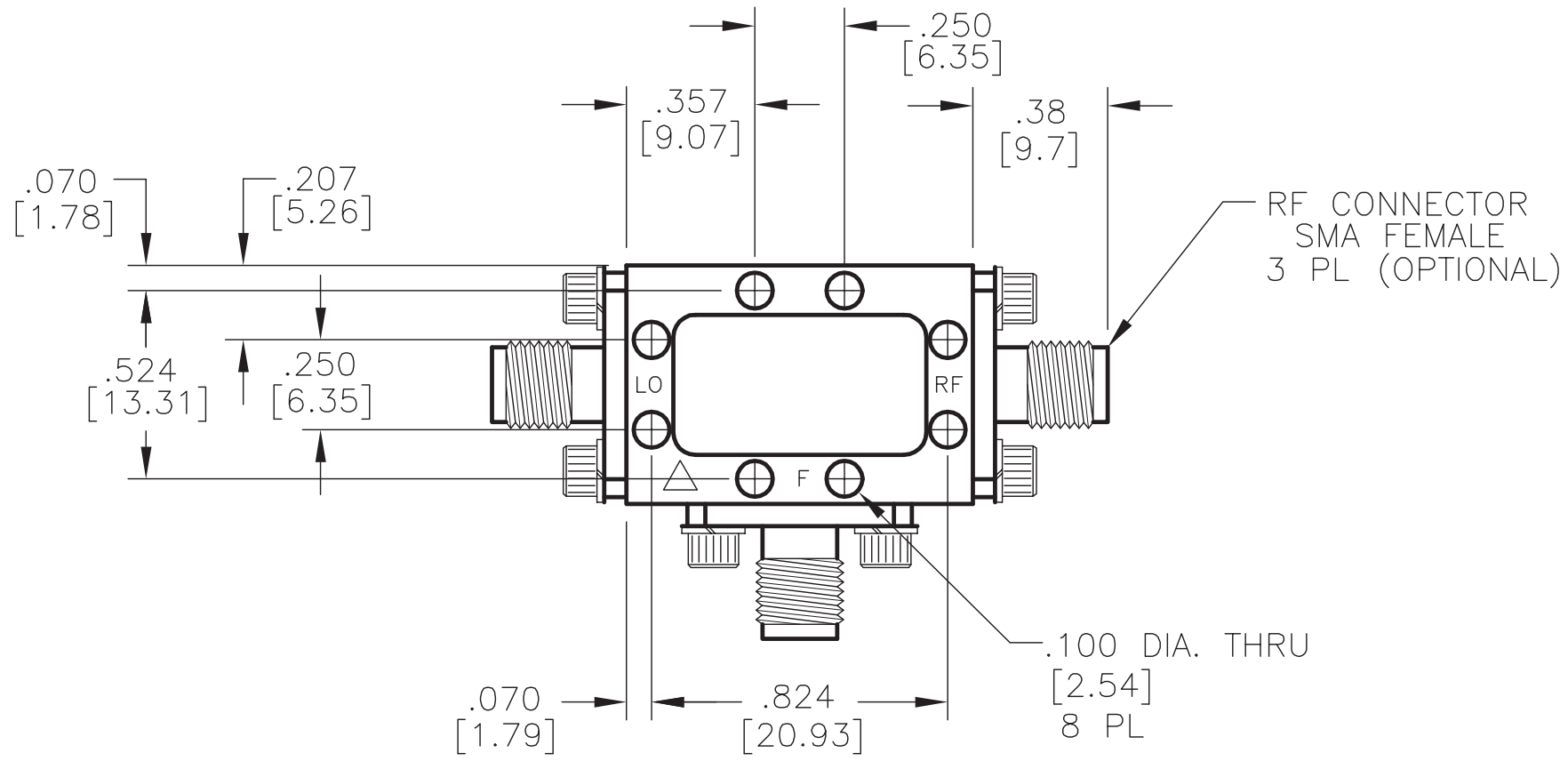
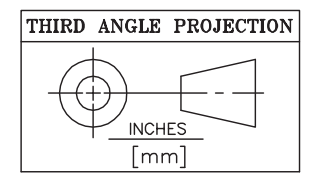


REVISIONS				
ECN	REV	DESCRIPTION	CHNG/DATE	APPVD/DATE
	B.1	ECN# 121001214	JD 11/8/04	JMM 11/11/04



"MG" WITHOUT CONNECTORS  
"PG" WITH REMOVABLE CONNECTORS

TOLERANCE:  
INCHES .XX±.02  
.XXX±.010  
mm .X±.5  
.XX±.25



<b>PROPRIETARY NOTICE</b> THIS DWG IS THE PROPERTY OF SPECTRUM MICROWAVE INC. NEITHER RECEIPT NOR POSSESSION THEREOF CONFERS OR TRANSFERS ANY RIGHT IN OR LICENSE TO USE ANY DESIGN OR TECHNICAL INFORMATION HEREON NOR ANY RIGHT TO REPRODUCE THIS DWG IN WHOLE OR IN PART WITHOUT THE WRITTEN CONSENT OF SPECTRUM MICROWAVE INC. IT IS ISSUED ONLY ON THE EXPRESS CONDITION THAT ITS TECHNICAL CONTENT WHETHER PATENTED OR NOT WILL BE RESPECTED		<b>TOLERANCES (INCHES)</b> .XX = ± .02 .XXX = ± .010 X/X = ± 1/32 X' = ± 1' 0"		<b>CONTRACT NO.</b> DRAWN S. COX PROC ENGRG ENGRG MFG QA		DATE 5/30/02 TITLE OUTLINE, G SIZE B CAGE CODE DWG NO. 080-25134-0001 REV B.1	
RELEASE DATE JOB NO.	MARK WHERE SHOWN	SCALE: 2/1 APPROX WT SHEET 1 OF 1					

