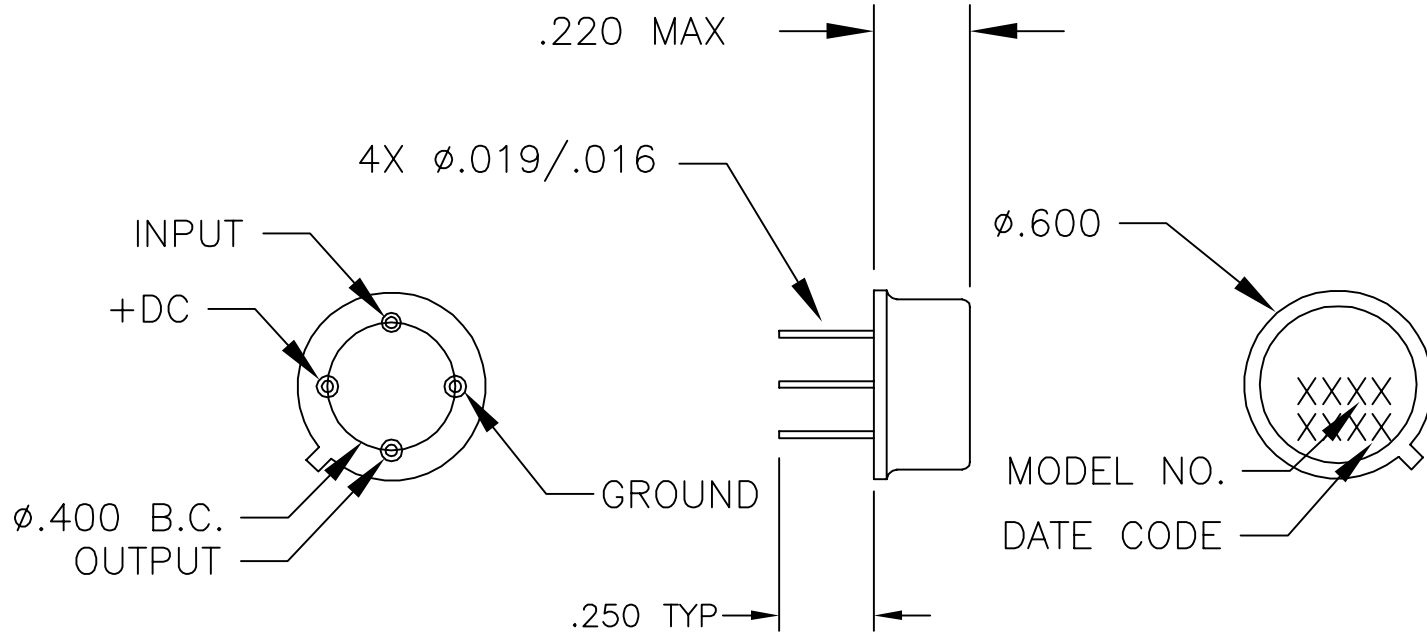


OTL2310XXXX

REVISIONS

LTR	DESCRIPTION	DATE	APPROVED
--	ECN 11XXX, RELEASE	3/28/02	



CAUTION
 THIS ASSEMBLY CONTAINS PARTS SENSITIVE TO DAMAGE BY ELECTRO-STATIC DISCHARGE (ESD). USE ESD PRECAUTIONARY PROCEDURES WHEN TOUCHING, REMOVING OR INSERTING.

MATERIAL: KOVAR	DRAWN	DATE	2707 BLACK LAKE PLACE, PHILADELPHIA PA. 19154
	CHECKED	DATE	
FINISH GOLD	ENGINEERING	DATE	OUTLINE DRAWING T8 (TO-8B)
	MANUFACTURING	DATE	
DIMENSIONS: INCHES	QUALITY	DATE	CODE IDENT NO.
DEC. .XX +/- .01			60979
ANG .X DEG			OTL 2310XXXX
			K:\ENGINEER\ACLTWIN\OLT\T8-TO-8B SHT 1 OF 1